

1NR SERIES

HOUSING

FORMED FROM 6063T5 ALLOY
FINISH: BAKED WHITE ENAMEL (STANDARD)
ALL FIXTURES ARE PRE-WIRED.
ALL STEEL PARTS ARE PHOSPHATE
TREATED FOR CORROSION RESISTANCE
BEFORE PAINT PROCEDURE, THEN
BAKED WITH SUPERIOR ADHESION FOR
DURABILITY.

LED MODULES

MID POWER FR4 LED, NO VISIBLE DIODES
(INSTALLED 3000K-4000K)
1 LIGHT CROSS SECTION LED ARRAYED
AVAILABLE IN 80 CRI AS WELL AS 90 CRI

DRIVERS

LED ELECTRONIC DRIVER 30W-85W
VOLTAGE: 120V-277V (UNIVERSAL)
STANDARD DIMMING
UL AND ROHS COMPLIANCE
DALI AND ECOSYSTEM DRIVER AVAILABLE

LENS

A WHITE LENS WITH A FROSTED PIGMENT
THAT CREATE A UNIVERSAL SMOOTH
ILLUMINATED SURFACE FREE OF ANY STRIATION
LENS IS EXTRUDED WITH TONGUE AND
GROOVE TO MATE EXACTLY WITH THE
INTERNAL REFLECTOR.

REFLECTOR

TO BE FORMED FROM 20GA. CR.S.
POST PAINTED ALUMINUM WITH INTEGRAL
THERMO REQUIRED PROPERTIES WITH 90%.
PLUS REFLECTIVITY

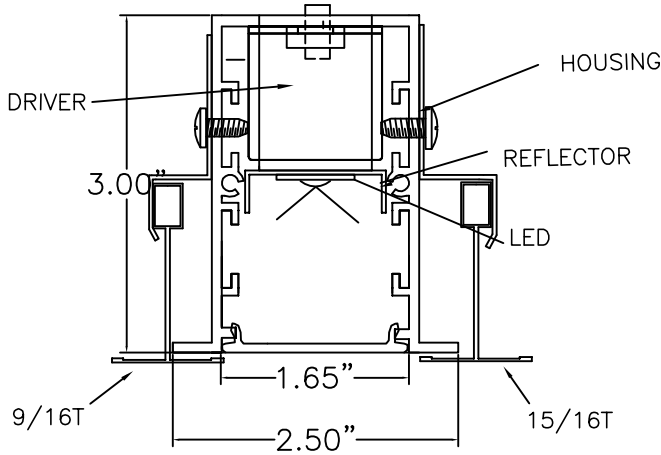
MOUNTING

GRID, SLOT GRID, FLANGE AND FLANGELESS
AS SHOWN IN CEILING DETAIL

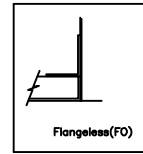
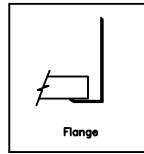
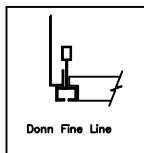
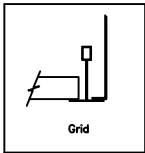


PRODUCT DESCRIPTION

THE 1NR SERIES COMBINES DIGITAL LIGHTING IN A
ARCHITECTURAL STREAMLINED HOUSING THAT
POWERFULLY ILLUMINATES ANY SPACE IN
SEAMLESSLY BRILLIANT LIGHT. THE ADVANCED
DESIGN OFFERS 60,000 HOURS OF LED LIFE WITH
EXCELLENT COLOR RENDITION IN REMARKABLY
COMPACT PROFILE. THE NOMINAL 2.50" WIDE
HOUSING WITH WHITE SHADOWLESS SATINE LENS
CAN BE USED FOR GRID 9/16" or 15/16", SLOT
GRID AS WELL AS FLANGE AND FLANGELESS
APPLICATIONS. NATIONAL PROVIDES AS AN OPTION
EMERGENCY AND SENSOR SYSTEMS. DIFFERENT
DIMMING OPTIONS ALSO AVAILABLE.



CEILING OPTIONS

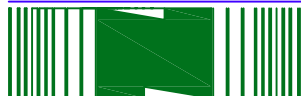


ORDERING KEY

SERIES	LUMENS / (W)	REC	COLOR TEMP	MOUNTING	VOLTAGE	OPTIONS
1NR-SERIES	<input type="checkbox"/> 575L/F (7W) <input type="checkbox"/> 700L/F (9W) <input type="checkbox"/> 750L/F (10W) <input type="checkbox"/> 875L/F (11W) <input type="checkbox"/> 1000L/F (12W)	<input type="checkbox"/> 2" <input type="checkbox"/> 3" <input type="checkbox"/> 4" <input type="checkbox"/> 6" <input type="checkbox"/> 8" <input type="checkbox"/> OTHER	<input type="checkbox"/> 2700K <input type="checkbox"/> 3000K <input type="checkbox"/> 3500K <input type="checkbox"/> 4000K <input type="checkbox"/> 5000K	<input type="checkbox"/> GRID 9/16" <input type="checkbox"/> GRID 15/16" <input type="checkbox"/> SLOT GRID	<input type="checkbox"/> 120 V <input type="checkbox"/> 277 V <input type="checkbox"/> UNIVERSAL	<input type="checkbox"/> EM (BATTERY) <input type="checkbox"/> DIM 0-10 <input type="checkbox"/> DALI <input type="checkbox"/> LUTRON, 2 WIRE, <input type="checkbox"/> 3 WIRE <input type="checkbox"/> SENSOR

LUMENS WILL VARY
DEPENDING ON DIFFUSER
AND LED COLOR TEMP.

NATIONAL 3E/LED SERIES USES ENGINE/STICK ORIGINAL EQUIPMENT (BY OSRAM, PHILIPS, SAMSUNG, ET AL) WHICH ARE RATED FOR APPROXIMATELY 100 LM/W.T. ARCHITECTURAL LENSES PROVIDED WITH THE LUMINAIRES BY DESIGN EVEN THE BRIGHTNESS AND VISUAL COMFORT AND MIGHT FRACTIONALLY LOWER LM/W.T.



522 CORTLANDT ST.
BELLEVILLE, NJ 07109

NJ 973-751-1600
NY 212-751-1600
FAX 973-751-4931
WWW.NATLTG.COM

TYPE:

PROJECT:

EVEN AND VISUALLY
COMFORTABLE LED
LIGHT DISTRIBUTION
ACROSS PROFILE OF
THE PRODUCT

50% ENERGY
SAVINGS COMPARED
TO LINEAR
FLUORESCENT

SUSTAINABLE
MATERIALS

ARRAY OF LUMEN
OPTIONS ALL
LM79/LM80 UL
APPROVED

5 YEAR WARRANTY
LED AND DRIVER

