

# NICHE 4NS D/ID LED

## HOUSING

THE 5" INCH NOMINAL DEEP HSG TO BE FORMED FROM EXTRUDED ALUMINUM 6063T5 ALL FIXTURES ARE PRE-WIRED. ALL STEEL PARTS ARE PHOSPHATE TREATED FOR CORROSION RESISTANCE BEFORE PAINT PROCEDURE, THEN BAKED WITH SUPERIOR ADHESION FOR DURABILITY.

## LED MODULES

HIGHER EFFICACY UP TO 170 LPW WITH SERVICE LIFE GREATER THAN 60000(L70) HIGH COLOR RENDER AND EXCELLENT COLOR CONSISTENCY COLOR OPTIONS AVAILABLE FROM 27K TO 40K . 90 CRI LEDS AVAILABLE AS OPTIONAL

## DRIVERS

CONSTANT CURRENT, CLASS 2 UNIVERSAL INPUT : 120-277VAC SOUND RATED A, 54V OUTPUT 0-10V DIMMING STANDARD . DALI, ECOSYSTEM AND DMX DRIVERS ALSO AVAILABLE

## REFLECTOR

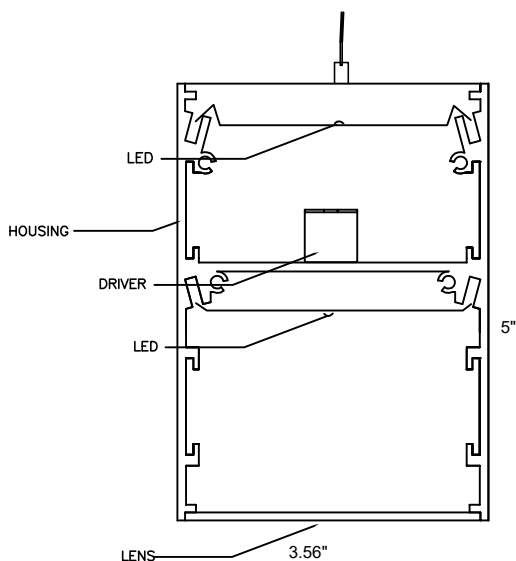
TO BE FORMED FROM 20-24GA ALUMINUM FINISH: BAKED WHITE ENAMEL WITH 90% REFLECTIVITY

## MOUNTING

CABLE, PENDANT OR WALL MOUNT

## PRODUCT DESCRIPTION

THE 4NS D/ID LED INSURES LONG CONTINUOUS UNINTERRUPTED ROWS OF FIXTURES WHILE KEEPING HOUSING DIFFUSION ACCURATE. THE ADVANCED DESIGN OF THE LED 2NS OFFERS HIGH EFFICIENCY AND A MINIMUM OF 60,000 HOURS OF LAMP LIFE, EXCELLENT COLOR AND CONTINUOUS UNINTERRUPTED DIRECT LIGHT. THE INDIRECT LIGHTING PROVIDES A WIDE, BROAD EVEN SWATH OF ILLUMINATION. PENDANT AND WALL MOUNTED FIXTURES ARE AVAILABLE. SNAP ON EXTRUDED FROSTED DIFFUSERS CREATE SOFT, EVEN LIGHT



## ORDERING KEY

SERIES	Lumens/ft (Watts/ft)	LENGTH	COLOR TEMP	MOUNTING	VOLTAGE	OPTIONS
NICHE 4NS LED D/ID (DIRECT/ INDIRECT)	<input type="checkbox"/> LO 1065.25(9.6)	<input type="checkbox"/> 2'	<input type="checkbox"/> 2700K	<input type="checkbox"/> AC - CABLE	<input type="checkbox"/> 120 V	<input type="checkbox"/> EM
	<input type="checkbox"/> MO 1238.75(11.37)	<input type="checkbox"/> 3'	<input type="checkbox"/> 3000K	<input type="checkbox"/> P - STEM	<input type="checkbox"/> 277 V	<input type="checkbox"/> DIM 0-10
	<input type="checkbox"/> HO 1684(15.25)	<input type="checkbox"/> 4'	<input type="checkbox"/> 3500K	<input type="checkbox"/> WM - WALL	<input type="checkbox"/> UNIVERSAL	<input type="checkbox"/> DALI
		<input type="checkbox"/> 6'	<input type="checkbox"/> 4000K	<input type="checkbox"/> 24"		<input type="checkbox"/> LDE1 - Eco1%
		<input type="checkbox"/> 8'	<input type="checkbox"/> 5000K	<input type="checkbox"/> 48"		<input type="checkbox"/> L3DA-3Wire or Eco1%
		<input type="checkbox"/> ROWS		<input type="checkbox"/> OTHER _____		<input type="checkbox"/> SENSOR(DS, OCC, VAC)

LUMENS WILL VARY DEPENDING ON DIFFUSER AND LED COLOR TEMP.

NATIONAL 3E/LED SERIES USES ENGINE/STICK ORIGINAL EQUIPMENT (BY OSRAM, PHILIPS, SAMSUNG, ET AL) WHICH ARE RATED FOR APPROXIMATELY 100 LM/WT. ARCHITECTURAL LENSES PROVIDED WITH THE LUMINAIRES BY DESIGN EVEN THE BRIGHTNESS AND VISUAL COMFORT AND MIGHT FRACTIONALLY LOWER LM/WT.

TYPE: \_\_\_\_\_

PROJECT: \_\_\_\_\_

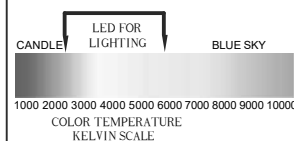
EVEN AND VISUALLY COMFORTABLE LED LIGHT DISTRIBUTION ACROSS PROFILE OF THE PRODUCT

50% ENERGY SAVINGS COMPARED TO LINEAR FLUORESCENT

SUSTAINABLE MATERIALS

ARRAY OF LUMEN OPTIONS ALL LM79/LM80 UL APPROVED

5 YEAR WARRANTY LED AND DRIVER



522 CORTLANDT ST.  
BELLEVILLE, NJ 07109

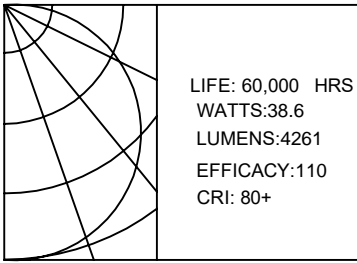
NJ 973-751-1600  
NY 212-751-1600  
FAX 973-751-4931  
WWW.NATLTG.COM

Modules and drivers are UL recognized components and RoHS compliant. LED modules also comply with IENSA LM-79 and LM-80 standards.

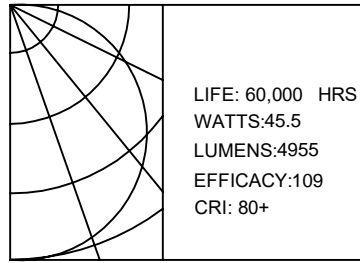


PHOTOMETRIC REPORT

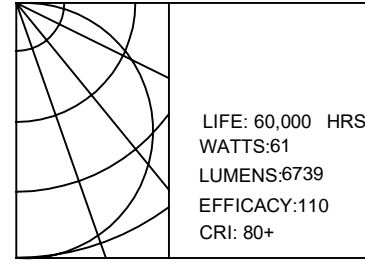
4NS D/ID-LO



4NS D/ID-MO



4NS D/ID-HO



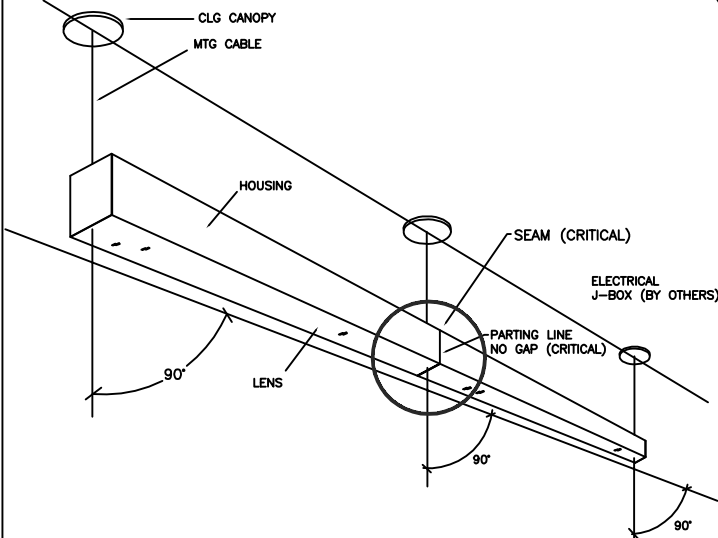
All values are based on 4' Section.

INSTALLATION INSTRUCTIONS

ABOVE STRUCTURAL SUPPORT TO BE SUPPLIED BY OTHERS.

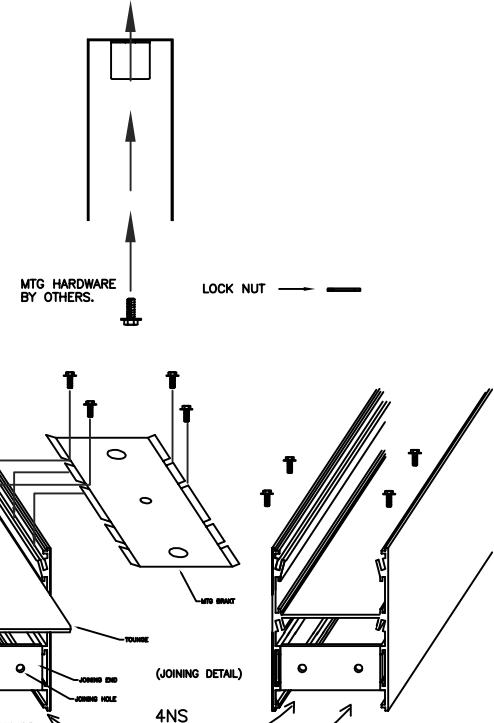
SURFACE

1



CAUTION! DO NOT ASSEMBLE FIXTURES FROM THE FLOOR!

2



3

LIGHTING CONTROL SOLUTIONS

1. DIMMING ( 0-10V, DALI Or Lutron )
  - 0-10V Dimming Driver used as standard.
  - Continuous Dimming up to 10%.
  - Dimming wires not provided unless specified
  - Contact National for Dali or Lutron Control system
2. Occ/DAYLIGHT/Vacancy/Bi-Level
  - Sensor-ready and compatible drivers provided.
  - Sensors can be field installed or could be installed in the fixtures
  - Bi-level dimming and Motion sensors also available
3. Compatibility:
  - National fixtures are compatible with Lutron, Philips Actilume, Magnum, Wattstopper, Hubbell , Leviton , Hytronik , Daintree & Enlighted Control System

APPLICATION PICTURE



NATIONAL LIGHTING COMPANY, INC.  
 522 CORTLANDT ST.  
 BELLEVILLE, NJ 07109

NJ 973-751-1600  
 NY 212-751-1600  
 FAX 973-751-4931  
 WWW.NATLTG.COM

JOB NAME:	
CATALOG:	
TYPE:	