

# NICHE 1NS LED

## HOUSING

FORMED FROM EXTRUDED ALUMINUM FINISHED STANDARD WHITE POWDER COATED. ALL FIXTURES ARE PRE-WIRED. ALL STEEL PARTS ARE PHOSPHATE TREATED FOR CORROSION RESISTANCE BEFORE PAINT PROCEDURE, THEN BAKED WITH SUPERIOR ADHESION FOR DURABILITY.

## LED

HIGH EFFICIENCY MID POWER LED LM80 TESTED LIFE GREATER THAN 50,000 HIGH COLOR RENDER AND EXCELLENT COLOR CONSISTENCY COLOR OPTIONS AVAILABLE FROM 27K TO 40K. 90 OR 80 CRI LEDS AVAILABLE AS OPTIONAL.

## DRIVER

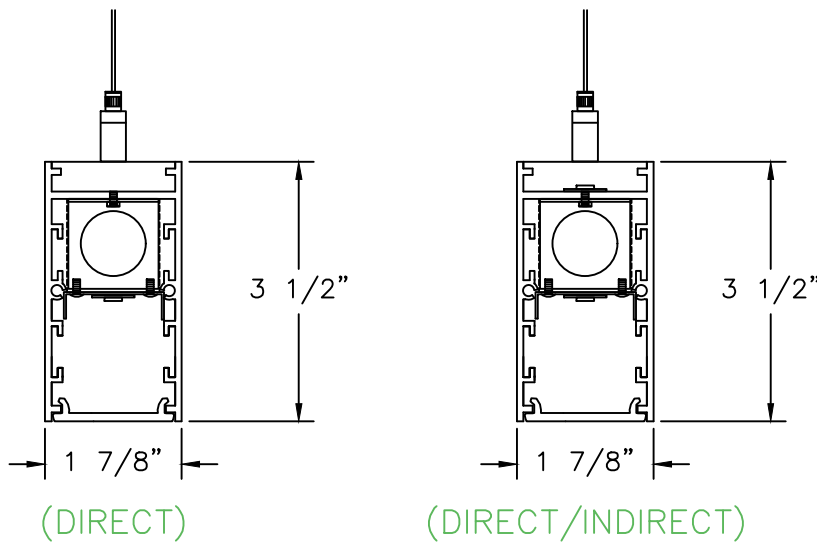
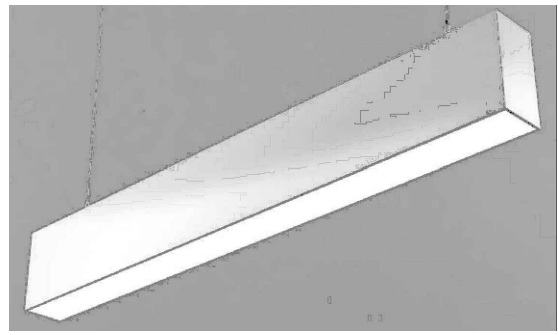
CONSTANT CURRENT CLASS 2 UNIVERSAL INPUT 120-277 UNV SOUND RATED A 50/60 HZ 0-10V DIMMING STANDARD. DALI ECO SYSTEM AND DMX DRIVERS, SEE OPTIONS.

## REFLECTOR

TO BE FORMED FROM 20GA ALUM FINISH WHITE WITH 90% REFLECTIVITY.

## MOUNTING

AC CABLE, STEM MOUNT, WALL MOUNT OR SURFACE MOUNT



TYPE: \_\_\_\_\_

PROJECT: \_\_\_\_\_

EVEN AND VISUALLY COMFORTABLE LED LIGHT DISTRIBUTION ACROSS PROFILE OF THE PRODUCT.

50% ENERGY SAVINGS COMPARED TO LINEAR FLUORESCENT

SUSTAINABLE MATERIALS

ARRAY OF LUMEN OPTIONS ALL LM79/LM80 UL APPROVED.

5 YEAR WARRANTY LED AND DRIVER.

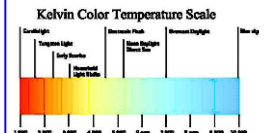
## ORDERING KEY

SERIES	LM/WT/FT	LENGTH	COLOR	CEILING TYPE	VOLTAGE	OPTIONS
<input type="checkbox"/> 1NS DIRECT	(DIRECT)	<input type="checkbox"/> 2'	<input type="checkbox"/> 2700K	<input type="checkbox"/> AC CABLE	<input type="checkbox"/> 120V	<input type="checkbox"/> EMPK
<input type="checkbox"/> 1NS D/ID	<input type="checkbox"/> LO 412 (6.4)	<input type="checkbox"/> 3'	<input type="checkbox"/> 3000K	<input type="checkbox"/> STEM	<input type="checkbox"/> 277V	<input type="checkbox"/> 0-10V DIM
	<input type="checkbox"/> MO 516 (8.35)	<input type="checkbox"/> 4'	<input type="checkbox"/> 3500K	<input type="checkbox"/> WM	<input type="checkbox"/> UNIVERSAL	<input type="checkbox"/> DALI
	<input type="checkbox"/> HO 637 (9.5)	<input type="checkbox"/> 6'	<input type="checkbox"/> 4000K	<input type="checkbox"/> SM		<input type="checkbox"/> L3DA ECO 1%
	(DIRECT/INDIRECT)	<input type="checkbox"/> 8'	<input type="checkbox"/> 5000K			<input type="checkbox"/> LDE1 ECO 1%
	<input type="checkbox"/> LO 813 (10.1)	<input type="checkbox"/> ROWS	CRI			<input type="checkbox"/> SENSOR/OCC
	<input type="checkbox"/> MO 1029 (11.9)		<input type="checkbox"/> 90CRI	Std length: 48" long (otherwise specified)		<input type="checkbox"/> LUTRON AWRN (Athena Wireless Node)
	<input type="checkbox"/> HO 1369 (15.2)		<input type="checkbox"/> 80CRI			

Please contact National Ltg. for other options.

lumens will vary depending on diffuser and LED color temp.

National 3E/LED series uses engine/stick original equipment (Philips, Osram, et al) which are rated for approx 100L/w. Architectural lenses provided with the luminaires by design even the brightness and visual comfort and might fractionally lower lm/wt.



NATIONAL LIGHTING COMPANY, INC.  
522 CORTLANDT ST.  
BELLEVILLE, NJ 07109  
NJ 973-751-1600  
NY 212-751-1600  
FAX 973-751-4931  
WWW.NATLTG.COM

ALL UL RECOGNIZED COMPONENTS AND ROHS COMPLIANT.

LED MODULES ALSO COMPLY WITH IESNA LM-79 AND LM-80 STANDARDS.

