

AFFINE 2x4 LED

HOUSING

TO BE FORMED FROM 20GA CRS
 FINISH: ECO WHITE (STANDARD)
 ALL STEEL PARTS ARE PHOSPHATE
 TREATED FOR CORROSION RESISTANCE
 BEFORE PAINT PROCEDURE, THEN
 BAKED WITH SUPERIOR ADHESION
 FOR DURABILITY

LED MODULES

HIGHER EFFICACY UP TO 170 LPW
 WITH SERVICE LIFE GREATER THAN
 60000(L70) HIGH COLOR RENDER AND
 EXCELLENT COLOR CONSISTENCY
 COLOR OPTIONS AVAILABLE FROM
 27K TO 40K.
 90 CRI LEDS AVAILABLE AS OPTIONAL

DRIVERS

CONSTANT CURRENT, CLASS 2
 UNIVERSAL INPUT : 120-277VAC
 SOUND RATED A, 54V OUTPUT 0-10V
 DIMMING STANDARD .
 DALI, ECOSYSTEM AND DMX DRIVERS
 ALSO AVAILABLE

REFLECTOR

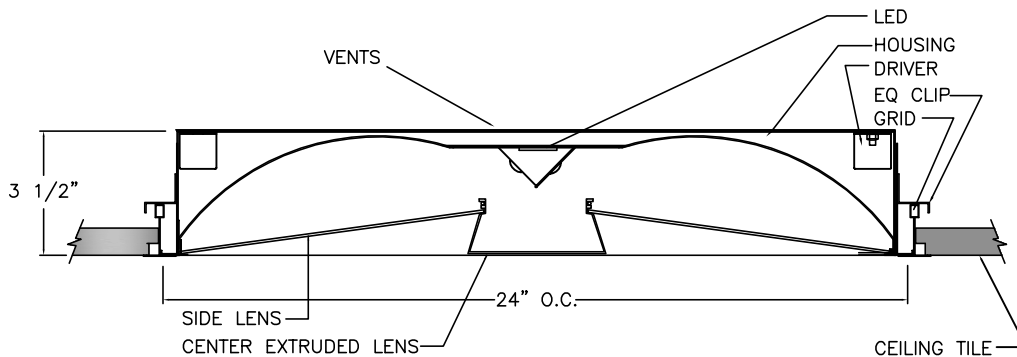
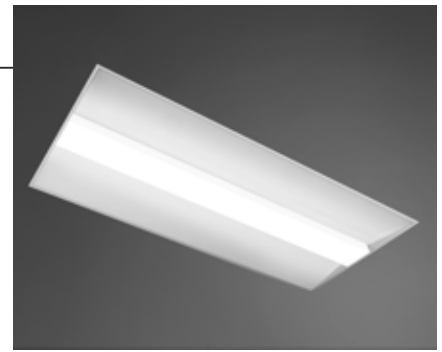
TO BE FORMED FROM 20GA CRS
 FINISH: BAKED WHITE ENAMEL WITH
 90% REFLECTIVITY

MOUNTING

FLANGE, SLOT GRID
 FLANGELESS, 1/16" GRID(T)
 9/16" GRID(T1)

PRODUCT DESCRIPTION

THE AFFINE LED 2X4 COMBINES DIGITAL LED LIGHTING WITH
 HIGH PERFORMANCE OPTICAL DESIGN. THE ADVANCED
 DESIGN OF THE LED AFFINE 2'X4' OFFERS HIGH EFFICACY,
 50000 HOURS OF LIFE AND EXCELLENT COLOR FOR
 GENERAL AMBIENT LIGHTING APPLICATIONS. THE LINEAR
 INTEGRAL PRISMS OF THE TRANSLUCENT LENS
 DISTRIBUTES LIGHT EVENLY INTO THE SPACE WHILE
 MINIMIZING CONTRAST BETWEEN THE FIXTURE AND CEILING



TYPE: _____

PROJECT: _____

EVEN AND VISUALLY
 COMFORTABLE LED
 LIGHT DISTRIBUTION
 ACROSS PROFILE OF
 THE PRODUCT

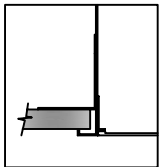
50% ENERGY
 SAVINGS COMPARED
 TO LINEAR
 FLUORESCENT

SUSTAINABLE
 MATERIALS

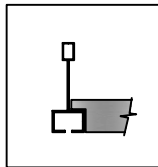
ARRAY OF LUMEN
 OPTIONS ALL
 LM79/LM80 UL
 APPROVED

5 YEAR WARRANTY
 LED AND DRIVER

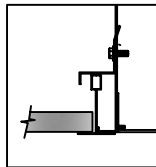
CEILING OPTIONS



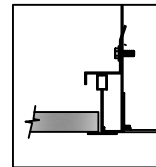
FLANGE (F)



SLOT GRID (SG)



GRID (T)



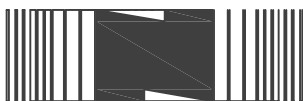
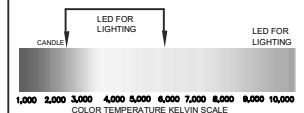
9/16" GRID (T1)

ORDERING KEY

SERIES	LUMENS (WATTS)	COLOR TEMP	CEILING TYPE	VOLTAGE	OPTIONS
AFF24LED	<input type="checkbox"/> 4078(43W) <input type="checkbox"/> 5035(51.8W) <input type="checkbox"/> 6042(62W) Please contact National for other options.	<input type="checkbox"/> 2700K** <input type="checkbox"/> 3000K <input type="checkbox"/> 3500K <input type="checkbox"/> 4000K <input type="checkbox"/> 5000K Contact National For 2700K Option	<input type="checkbox"/> T <input type="checkbox"/> F <input type="checkbox"/> SG <input type="checkbox"/> T1	<input type="checkbox"/> 120 V <input type="checkbox"/> 277 V <input type="checkbox"/> UNIVERSAL	<input type="checkbox"/> EM <input type="checkbox"/> 0-10V <input type="checkbox"/> DALI <input type="checkbox"/> LDE1 - Eco1% <input type="checkbox"/> L3DA-3Wire or Eco1% <input type="checkbox"/> SENSOR(OCC/VAC) <input type="checkbox"/> WHIPS

LUMENS WILL VARY
 DEPENDING ON DIFFUSER
 AND LED COLOR TEMP.

NATIONAL 3E/LED SERIES USES ENGINE/STICK ORIGINAL EQUIPMENT (BY OSRAM, PHILIPS, SAMSUNG, ET AL) WHICH ARE RATED FOR APPROXIMATELY 150 LM/W. ARCHITECTURAL LENSES PROVIDED WITH THE LUMINAIRE BY DESIGN EVEN THE BRIGHTNESS AND VISUAL COMFORT AND MIGHT FRACTIONALLY LOWER LM/W.

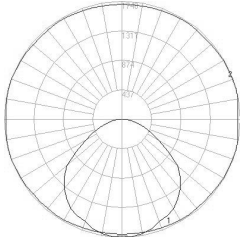


NJ 973-751-1600
 NY 212-751-1600
 FAX 973-751-4931



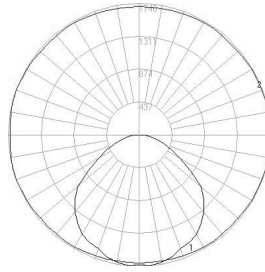
PHOTOMETRIC DATA

AFFINE 2X4 LED-LO



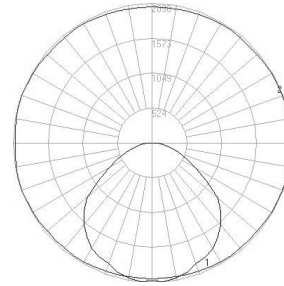
LIFE: 60,000 HRS
 WATTS:43
 LUMENS:4078
 EFFICACY:95
 CRI: 80+

AFFINE 2X4 LED-MO



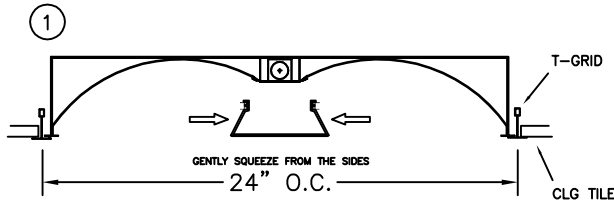
LIFE: 60,000 HRS
 WATTS:51.8
 LUMENS:5035
 EFFICACY:97
 CRI: 80+

AFFINE24 LED-HO



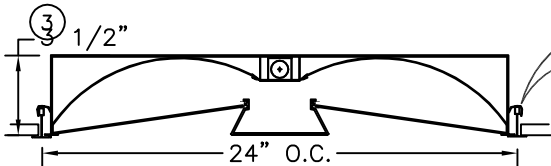
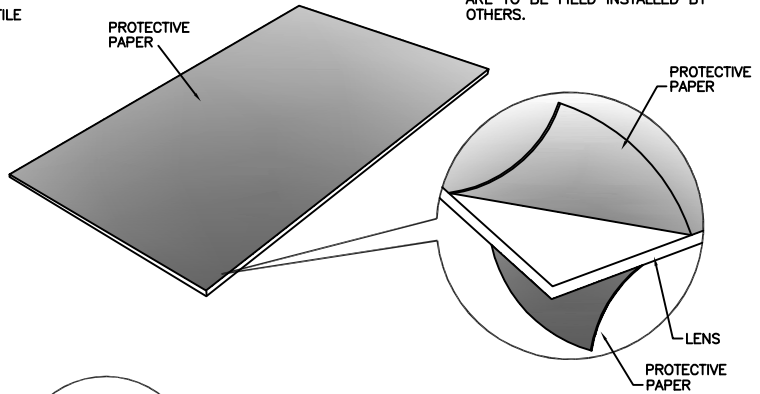
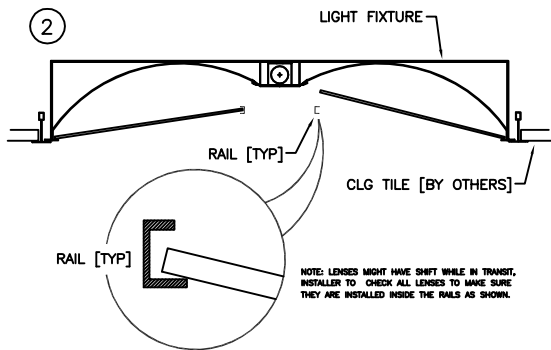
LIFE: 60,000 HRS
 WATTS:62
 LUMENS:6042
 EFFICACY:97
 CRI: 80+

MOUNTING INSTRUCTIONS



ABOVE CEILING STRUCTURE AND SUPPORT TO BE SUPPLIED BY OTHERS.

NOTE: ALL PLASTIC SIDE PANELS ARE TO BE FIELD INSTALLED BY OTHERS.



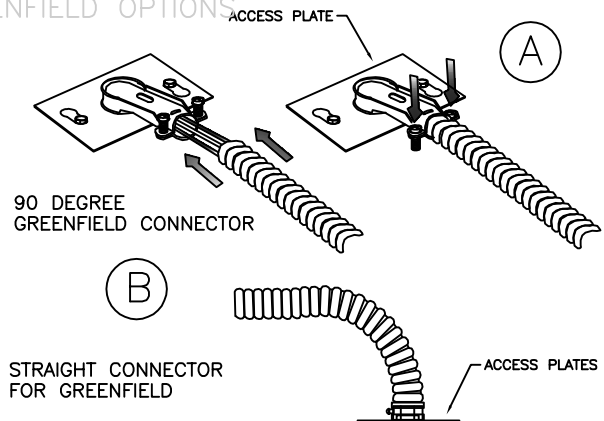
FOR E.Q. CLIP BEND TABS AS SHOWN (TYPICAL)

LIGHTING CONTROL SOLUTIONS

1. DIMMING (0-10V, DALI Or Lutron)
 - 0-10V Dimming Driver used as standard.
 - Continuous Dimming up to 10%.
 - Dimming wires not provided unless specified
 - Contact National for Dali or Lutron Control system
2. Occ/DAYLIGHT/Vacancy/Bi-Level
 - Sensor-ready and compatible drivers provided.
 - Sensors can be field installed or could be installed in the fixtures
 - Bi-level dimming and Motion sensors also available
3. Compatibility:

National fixtures are compatible with Lutron, Philips Actilume, Magnum, Wattstopper, Hubbell , Leviton , Hytronik , Daintree & Enlighted Control System

GREENFIELD OPTIONS



NATIONAL LIGHTING
 COMPANY, INC.
 522 CORTLANDT ST.
 BELLEVILLE, NJ 07109

NJ 973-751-1600
 NY 212-751-1600
 FAX 973-751-4931
 WWW.NATLTG.COM

JOB NAME:
CATALOG:
TYPE: