

WW 4NR LED

HOUSING

THE 5" INCH NOMINAL DEEP HSG TO BE FORMED FROM 20GA CRS. FINISHED BAKED WHITE ENAMEL (STANDARD) ALL FIXTURES ARE PRE-WIRED. ALL STEEL PARTS ARE PHOSPHATE TREATED FOR CORROSION RESISTANCE BEFORE PAINT PROCEDURE, THEN BAKED WITH SUPERIOR ADHESION FOR DURABILITY.

LED MODULES

HIGHER EFFICACY UP TO 170 LPW WITH SERVICE LIFE GREATER THAN 60000(L70) HIGH COLOR RENDER AND EXCELLENT COLOR CONSISTENCY COLOR OPTIONS AVAILABLE FROM 27K TO 40K . 90 CRI LEDS AVAILABLE AS OPTIONAL

DRIVERS

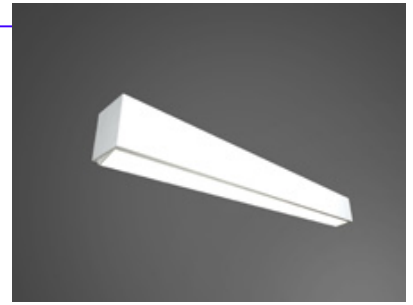
CONSTANT CURRENT, CLASS 2 UNIVERSAL INPUT : 120-277VAC SOUND RATED A, 54V OUTPUT 0-10V DIMMING STANDARD . DALI, ECOSYSTEM AND DMX DRIVERS ALSO AVAILABLE

REFLECTOR

TO BE FORMED FROM 20GA CRS FINISH: BAKED WHITE ENAMEL WITH 90% REFLECTIVITY

MOUNTING

RECESSED GRID, SLOT GRID OR GYPBOARD

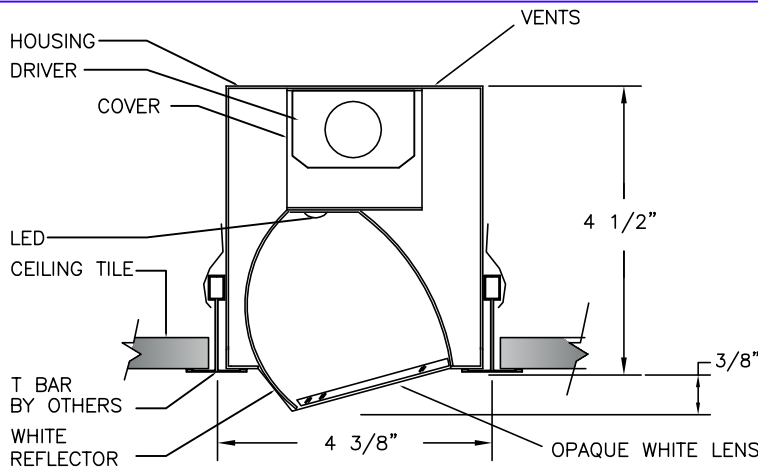


PRODUCT DESCRIPTION

THE ADVANCED DESIGN OF THE WW4NR PERFORMANCE TESTED WALL WASHER OFFERS HIGH EFFICIENCY LED WITH EXCELLENT FINISH, AND LONG CONTINUOUS UNINTERRUPTED LIGHT. THE NARROW APERTURE DELIVERS HIGH PERFORMANCE AND SHADOW FREE ILLUMINATION. THE HIGH REFLECTANCE DIE FORMED REFLECTOR SOURCES THE LIGHT INTO THE SPACE TO EXACTING SPECIFICATONS OF THE PROJECT CONSULTANTS.

TYPE:

PROJECT:



EVEN AND VISUALL COMFORTABLE LED LIGHT DISTRIBUTION ACROSS PROFILE O THE PRODUCT

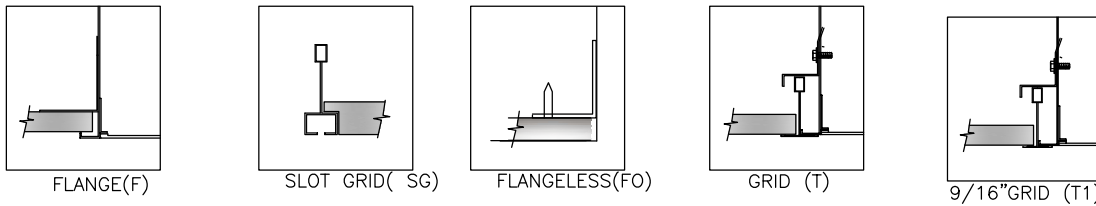
50% ENERGY SAVINGS COMPAREI TO LINEAR FLUORESCENT

SUSTAINABLE MATERIALS

ARRAY OF LUMEN OPTIONS ALL LM79/LM80 UL APPROVED

5 YEAR WARRANTY LED AND DRIVER

CEILING OPTIONS

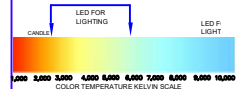


ORDERING KEY

SERIES	LUMENS/ft (W/ft)	LENGTH	COLOR TEMP	MOUNTING	VOLTAGE	OPTIONS
WW 4NR LED	<input type="checkbox"/> LO 405(5) <input type="checkbox"/> MO 660(7.7) <input type="checkbox"/> HO 866 (10.3) Please contact National for other options.	<input type="checkbox"/> 2' <input type="checkbox"/> 3' <input type="checkbox"/> 4' <input type="checkbox"/> 6' <input type="checkbox"/> 8' <input type="checkbox"/> ROWS	<input type="checkbox"/> 2700K <input type="checkbox"/> 3000K <input type="checkbox"/> 3500K <input type="checkbox"/> 4000K <input type="checkbox"/> 5000K	<input type="checkbox"/> F-FLANGE <input type="checkbox"/> AC - CABLE <input type="checkbox"/> P - STEM <input type="checkbox"/> WM-Wall Mount <input type="checkbox"/> OTHER	<input type="checkbox"/> 120 V <input type="checkbox"/> 277 V <input type="checkbox"/> UNV	<input type="checkbox"/> EM <input type="checkbox"/> DIM 0-10 <input type="checkbox"/> DALI <input type="checkbox"/> Hilume 1%2 Wire-LTEA2W <input type="checkbox"/> Hilume 1% Eco-LDE1 <input type="checkbox"/> Hilume 5% LDE5

LUMENS WILL VARY DEPENDING ON DIFFUSER AND LED COLOR TEMP.

NATIONAL 3E/LED SERIES USES ENGINE/STICK ORIGINAL EQUIPMENT (BY OSRAM, PHILIPS, SAMSUNG, ET AL) WHICH ARE RATED FOR APPROXIMATELY 150 LM/W. ARCHITECTURAL LENSES PROVIDED WITH THE LUMINAIRES BY DESIGN EVEN THE BRIGHTNESS AND VISUAL COMFORT AND MIGHT FRACTIONALLY LOWER LM/W.



522 CORTLANDT ST.
BELLEVILLE, NJ 07109

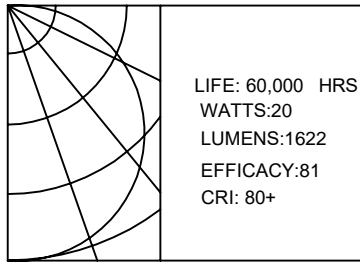
NJ 973-751-1600
NY 212-751-1600
FAX 973-751-4931
WWW.NATLTG.COM

Modules and drivers are UL recognized components and RoHS compliant. LED modules also comply with IENSA LM-79 and LM-80 standards.

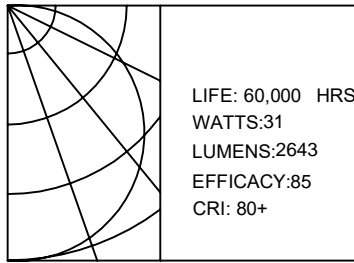


PHOTOMETRICS

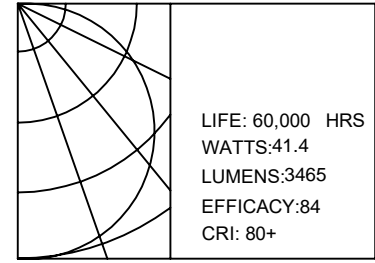
WW4NR LED-LO



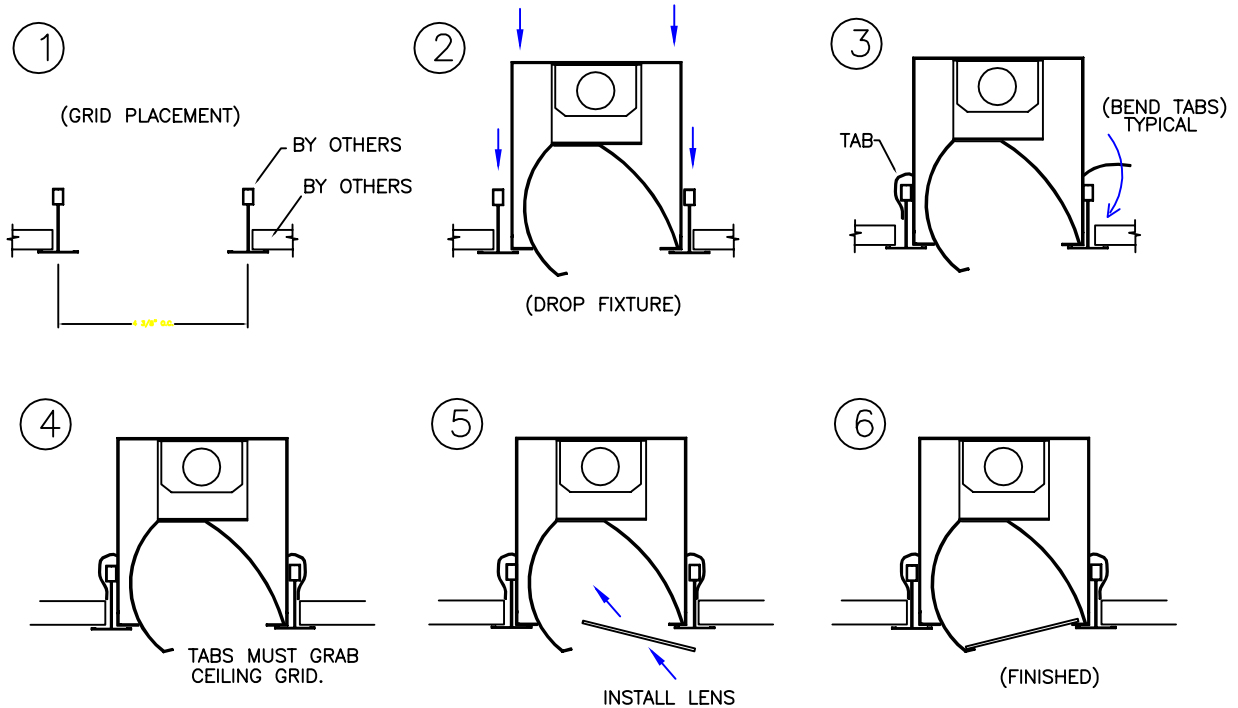
WW4NR LED-MO



WW4NR LED-HO



INSTALLATION INSTRUCTIONS

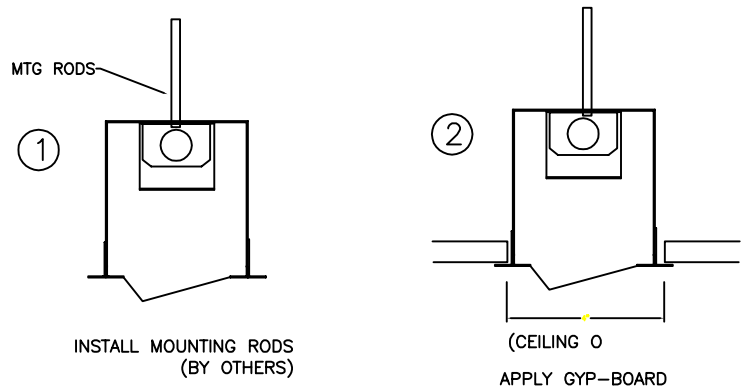


NOTE: ABOVE CEILING CONSTRUCTION AND SUPPORT TO BE SUPPLIED BY OTHERS.

LIGHTING CONTROL SOLUTIONS

- DIMMING (0-10V, DALI Or Lutron)**
 - 0-10V Dimming Driver used as standard.
 - Continuous Dimming up to 10%.
 - Dimming wires not provided unless specified
 - Contact National for Dali or Lutron Control system
- Occ/DAYLIGHT/Vacancy/Bi-Level**
 - Sensor-ready and compatible drivers provided.
 - Sensors can be field installed or could be installed in the fixtures
 - Bi-level dimming and Motion sensors also available
- Compatibility:**
National fixtures are compatible with Lutron, Philips Actilume, Magnum, Wattstopper, Hubbell , Leviton , Hytronik , Daintree & Enlighted Control System

OTHER CEILING OPTIONS



NATIONAL LIGHTING
COMPANY, INC.
522 CORTLANDT ST.
BELLEVILLE, NJ 07109

NJ 973-751-1600
NY 212-751-1600
FAX 973-751-4931
WWW.NATLTG.COM

JOB NAME:	
CATALOG:	
TYPE:	