

WW-66 LED

HOUSING

TO BE FORMED FROM 20GA CRS.
FINISH: BAKED WHITE ENAMEL (STANDARD)
ALL FIXTURES ARE PRE-WIRED.
ALL STEEL PARTS ARE PHOSPHATE
TREATED FOR CORROSION RESISTANCE
BEFORE PAINT PROCEDURE, THEN
BAKED WITH SUPERIOR ADHESION FOR
DURABILITY.

LED MODULES

MID POWER FR4 LED
(INSTALLED 3000K-4000K)
1 LIGHT CROSS SECTION ARRAY

DRIVERS

LED ELECTRONIC DRIVER 30W-75W
VOLTAGE: 120V-277V (UNIVERSAL)
CLASS 2
UL AND ROHS COMPLIANCE

REFLECTOR

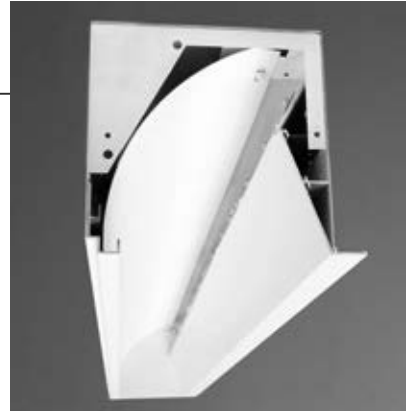
TO BE FORMED FROM 20GA. CR.S.
FINISH: BAKED WHITE ENAMEL
WITH 89% REFLECTIVITY

MOUNTING

FLANGE, SLOT GRID,
GRID (T), 9/16"GRID (T1)

PRODUCT DESCRIPTION

THE DESIGN OF THE WW66 LED RECESSED WALL WASHER
COMBINES HIGH EFFICIENCY AND A MINIMUM OF 50,000 HOURS
LAMP LIFE, EXCELLENT COLOR AND CONTINUOUS
UNINTERRUPTED LIGHT. THE WW66 LED IS DESIGNED TO MEET
CONTEMPORARY ARCHITECTURAL REQUIREMENTS OF MINIMUM
SPACE AND INCREASE LIGHTING PERFORMANCE NOMINAL 5"
APERTURE DELIVERS SHADOW FREE ILLUMINATION, AND HIGH
PERFORMANCE.



TYPE: _____

PROJECT: _____

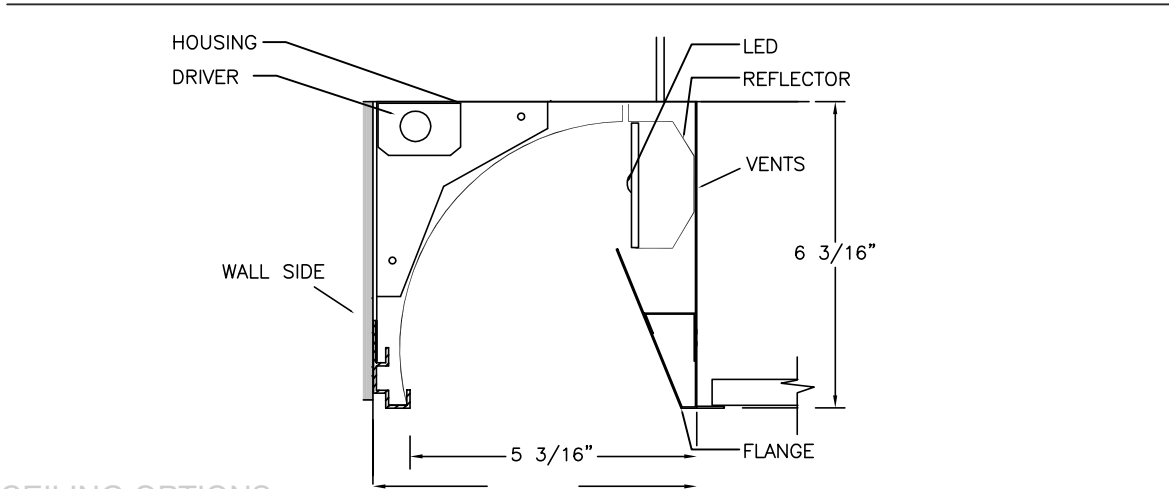
EVEN AND VISUALLY
COMFORTABLE LED
LIGHT DISTRIBUTION
ACROSS PROFILE OF
THE PRODUCT

50% ENERGY
SAVINGS COMPARED
TO LINEAR
FLUORESCENT

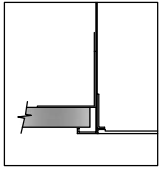
SUSTAINABLE
MATERIALS

ARRAY OF LUMEN
OPTIONS ALL
LM79/LM80 UL
APPROVED

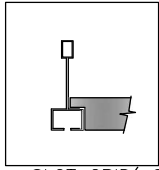
5 YEAR WARRANTY
LED AND DRIVER



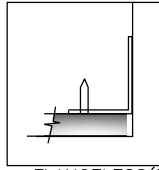
CEILING OPTIONS



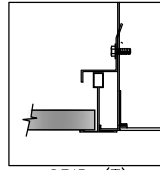
FLANGE (F)



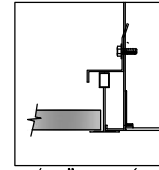
SLOT GRID (SG)



FLANGELESS (FO)



GRID (T)



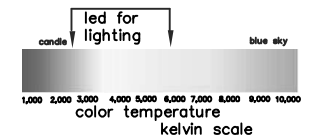
9/16" GRID (T1)

ORDERING KEY

SERIES	Lumens/ft(Watts/ft)	LENGTH	COLOR TEMP	CEILING TYPE	VOLTAGE	OPTIONS
WW 66 LED	<input type="checkbox"/> LO 405(4.75)	<input type="checkbox"/> 2'	<input type="checkbox"/> 2700K	<input type="checkbox"/> T1 9/16	<input type="checkbox"/> 120 V	<input type="checkbox"/> EM
	<input type="checkbox"/> MC 569(7.75)	<input type="checkbox"/> 3'	<input type="checkbox"/> 3000K	<input type="checkbox"/> T	<input type="checkbox"/> 277 V	<input type="checkbox"/> DIM 0-10
	<input type="checkbox"/> HC 763.75(9.7)	<input type="checkbox"/> 4'	<input type="checkbox"/> 3500K	<input type="checkbox"/> F	<input type="checkbox"/> UNIVERSAL	<input type="checkbox"/> DALI
		<input type="checkbox"/> 6'	<input type="checkbox"/> 4000K	<input type="checkbox"/> SG		<input type="checkbox"/> LDE1 - Eco1%
		<input type="checkbox"/> 8'	<input type="checkbox"/> 5000K	<input type="checkbox"/> FO		<input type="checkbox"/> L3DA3Wire & Eco1%
		<input type="checkbox"/> ROWS				<input type="checkbox"/> SENSOR(OCC/VAC)

LUMENS WILL VARY
DEPENDING ON DIFFUSER
AND LED COLOR TEMP.

NATIONAL 3E/LED SERIES USES ENGINE/STICK ORIGINAL EQUIPMENT (BY OSRAM, PHILIPS, SAMSUNG, ET AL) WHICH ARE RATED FOR APPROXIMATELY 100 LM/W. ARCHITECTURAL LENSES PROVIDED WITH THE LUMINAIRES BY DESIGN EVEN THE BRIGHTNESS AND VISUAL COMFORT AND MIGHT FRACTIONALLY LOWER LM/W.



522 CORTLANDT ST.
BELLEVILLE, NJ 07109

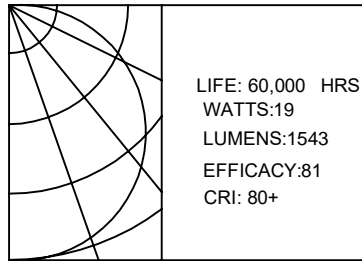
NJ 973-751-1600
NY 212-751-1600
FAX 973-751-4931
WWW.NATLTG.COM

Modules and drivers are UL recognized
components and RoHS compliant.
LED modules also comply with IENSA
LM-79 and LM-80 standards.

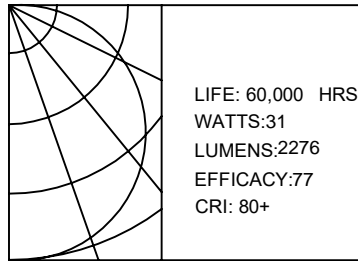


PHOTOMETRICS

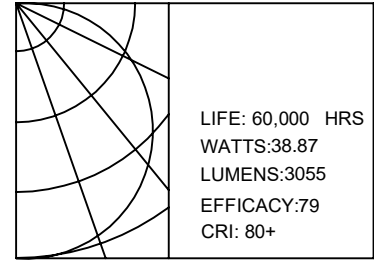
WW66 LED-LO



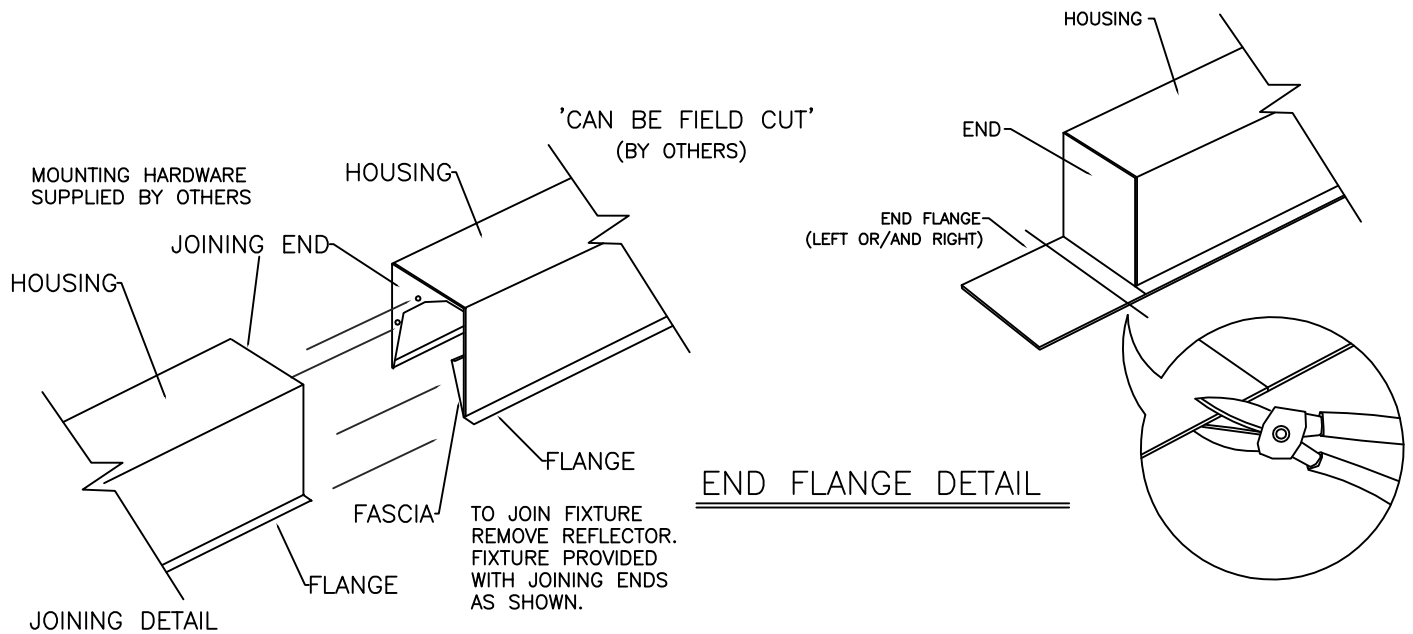
WW66 LED-MO



WW66 LED-HO



JOINING AND INSTALLATION INSTRUCTIONS



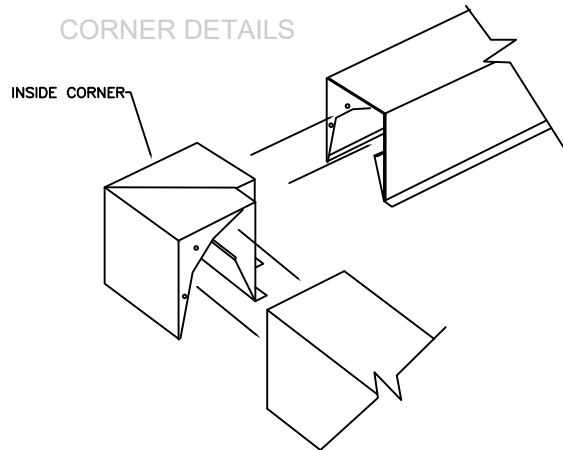
NOTE: ABOVE CEILING CONSTRUCTION AND SUPPORT TO BE SUPPLIED BY OTHERS.

LIGHTING CONTROL SOLUTIONS

1. DIMMING (0-10V, DALI Or Lutron)
 - 0-10V Dimming Driver used as standard.
 - Continuous Dimming up to 10%.
 - Dimming wires not provided unless specified
 - Contact National for Dali or Lutron Control system
2. Occ/DAYLIGHT/Vacancy/Bi-Level
 - Sensor-ready and compatible drivers provided.
 - Sensors can be field installed or could be installed in the fixtures
 - Bi-level dimming and Motion sensors also available
3. Compatibility:

National fixtures are compatible with Lutron, Philips Actilume, Magnum, Wattstopper, Hubbell , Leviton , Hytronik , Daintree & Enlighted Control System

CORNER DETAILS



NATIONAL LIGHTING COMPANY, INC.
522 CORTLANDT ST.
BELLEVILLE, NJ 07109

NJ 973-751-1600
NY 212-751-1600
FAX 973-751-4931
WWW.NATLTG.COM

JOB NAME:
CATALOG:
TYPE: