

# SKY 22 LED

## HOUSING

TO BE FORMED FROM 20GA CRS  
FINISH: ECO WHITE (STANDARD)  
ALL STEEL PARTS ARE PHOSPHATE  
TREATED FOR CORROSION RESISTANCE  
BEFORE PAINT PROCEDURE, THEN  
BAKED WITH SUPERIOR ADHESION  
FOR DURABILITY

## LED MODULES

HIGHER EFFICACY UP TO 170 LPW  
WITH SERVICE LIFE GREATER THAN  
60000(L70) HIGH COLOR RENDER AND  
EXCELLENT COLOR CONSISTENCY  
COLOR OPTIONS AVAILABLE FROM  
27K TO 40K .  
90 CRI LEDS AVAILABLE AS OPTIONAL

## DRIVERS

CONSTANT CURRENT, CLASS 2  
UNIVERSAL INPUT : 120-277VAC  
SOUND RATED A, 54V OUTPUT 0-10V  
DIMMING STANDARD .  
DALI, ECOSYSTEM AND DMX DRIVERS  
ALSO AVAILABLE

## REFLECTOR

TO BE FORMED FROM 20GA CRS  
FINISH: BAKED WHITE ENAMEL WITH  
90% REFLECTIVITY

## MOUNTING

FLANGE, SLOT GRID  
FLANGELESS, 15/16" GRID(T)  
9/16" GRID(T1)

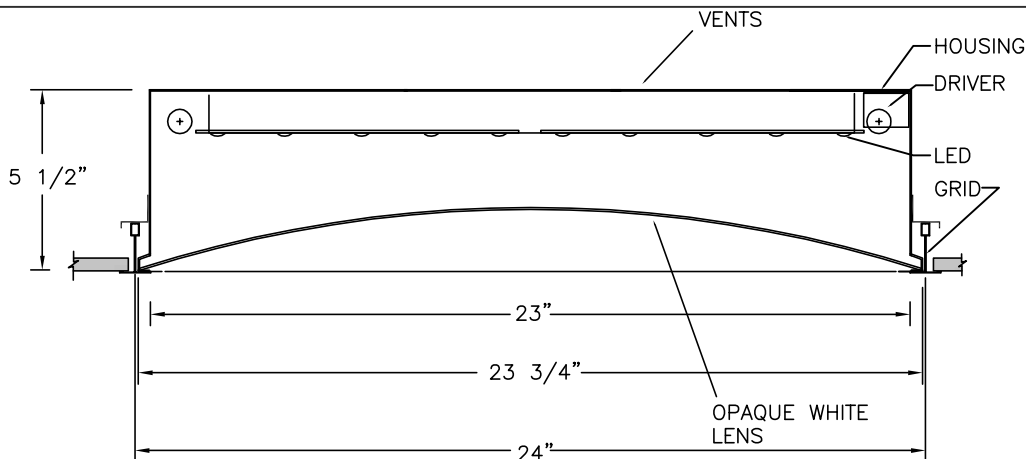


## PRODUCT DESCRIPTION

THE SKY LED IS A REGRESSED STYLE FIXTURE GENERATING  
HIGH EFFICIENCY LIGHT AND COLOR, FREE OF GLARE. THE  
UNIFORMITY OF THE LIGHT DISTRIBUTION ENHANCES THE  
AESTHETIC, ARCHITECTURAL FIXTURE DESIGN. **THE SKYLIGHT  
TYPE FIXTURE CLOSELY RESEMBLES THE LUMINOUS CEILINGS  
OF YESTERYEAR. THE CUSTOM TEXTURED/SAND-BLASTED  
LIKE LENS MAXIMIZES THE VISUAL COMFORT PROBABILITY  
INDEX FROM ANY POINT IN THE OPEN SPACE. THE LENS IS  
FREE FROM STRIATIONS OR HOT SPOTS.**

TYPE: \_\_\_\_\_

PROJECT: \_\_\_\_\_



EVEN AND VISUALLY  
COMFORTABLE LED  
LIGHT DISTRIBUTION  
ACROSS PROFILE OF  
THE PRODUCT

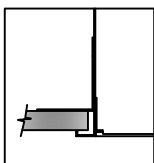
50% ENERGY  
SAVINGS COMPARED  
TO LINEAR  
FLUORESCENT

SUSTAINABLE  
MATERIALS

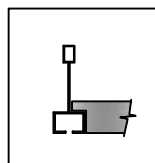
ARRAY OF LUMEN  
OPTIONS ALL  
LM79/LM80 UL  
APPROVED

5 YEAR WARRANTY  
LED AND DRIVER

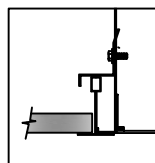
## CEILING OPTIONS



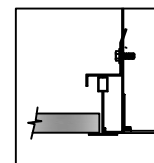
FLANGE(F)



SLOT GRID(SG)



GRID 15/16"(T)



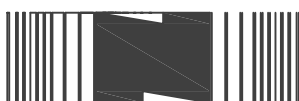
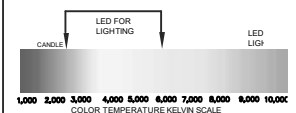
9/16"GRID (T1)

## ORDERING KEY

SERIES	LUMENS / (W)	COLOR TEMP	CEILING TYPE	VOLTAGE	OPTIONS
SKY22-LED	<input type="checkbox"/> 2597(25) <input type="checkbox"/> 3463(33) <input type="checkbox"/> 4156(41) Please contact National for other options.	<input type="checkbox"/> 2700K*** <input type="checkbox"/> 3000K <input type="checkbox"/> 3500K <input type="checkbox"/> 4000K <input type="checkbox"/> 5000K	<input type="checkbox"/> T <input type="checkbox"/> F <input type="checkbox"/> SG <input type="checkbox"/> T1	<input type="checkbox"/> 120 V <input type="checkbox"/> 277 V <input type="checkbox"/> UNIVERSAL	<input type="checkbox"/> EM <input type="checkbox"/> DIM 0-10 <input type="checkbox"/> DALI <input type="checkbox"/> HiLume 1% 2 Wire-LTEA2W <input type="checkbox"/> HiLume 1% Eco-LDE1 <input type="checkbox"/> HiLume 5% LDE5

LUMENS WILL VARY  
DEPENDING ON DIFFUSER  
AND LED COLOR TEMP.

NATIONAL 3E/LED SERIES USES ENGINE/STICK ORIGINAL EQUIPMENT (BY OSRAM, PHILIPS, SAMSUNG, ET AL) WHICH ARE RATED FOR APPROXIMATELY 100 LM/W. ARCHITECTURAL LENSES PROVIDED WITH THE LUMINAIRES BY DESIGN EVEN THE BRIGHTNESS AND VISUAL COMFORT AND MIGHT FRACTIONALLY LOWER LM/W.



522 CORTLANDT ST.  
BELLEVILLE, NJ 07109

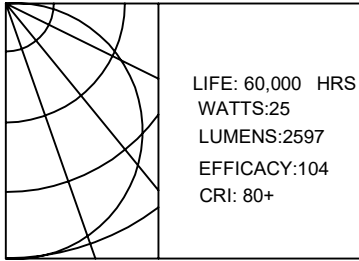
NJ 973-751-1600  
NY 212-751-1600  
FAX 973-751-4931  
WWW.NATLTG.COM

Modules and drivers are UL recognized  
components and RoHS compliant.  
LED modules also comply with IENSA

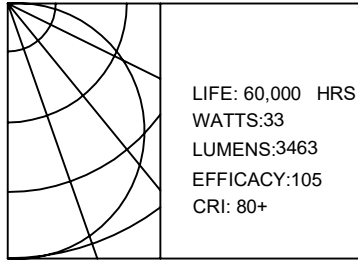


PHOTOMETRICS

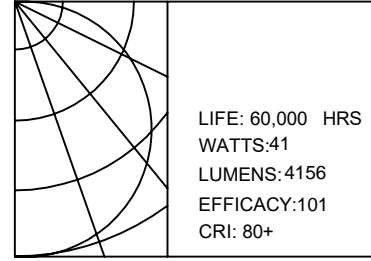
SKY 2X2 LED-LO



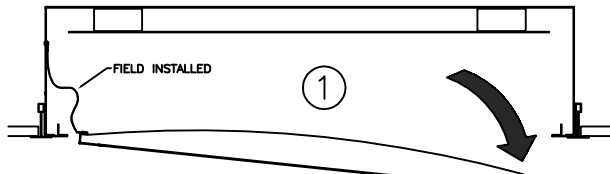
SKY 2X2 LED-MO



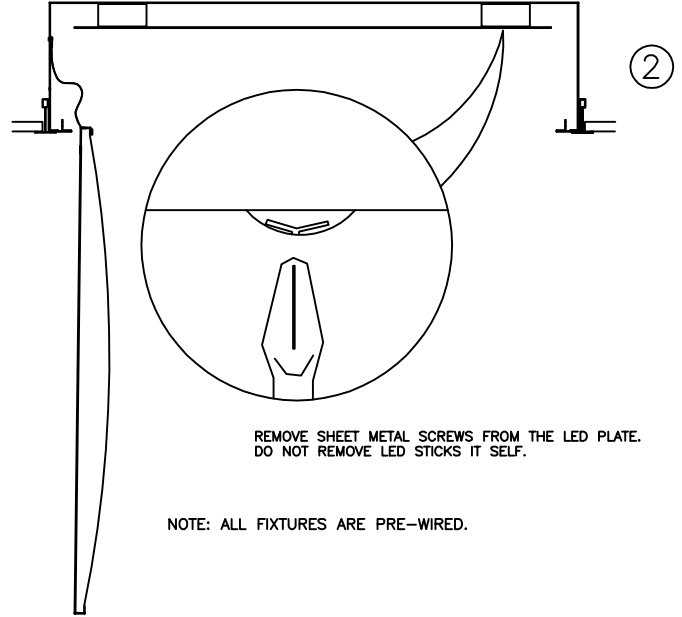
SKY 2X2 LED-HO



MOUNTING/INSTALLATION INSTRUCTIONS

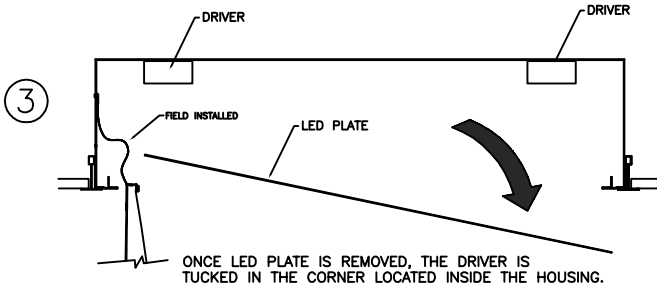


CAREFULLY REMOVE FRAME INSIDE THE HOUSING BY MEANS OF LIFTING AND SHIFTING TO ONE SIDE UNTIL IT DROPS. FRAME HAS SAFETY TETHER FROM FALLING, DO NOT PULL OR TAG - TETHER WILL BREAK.

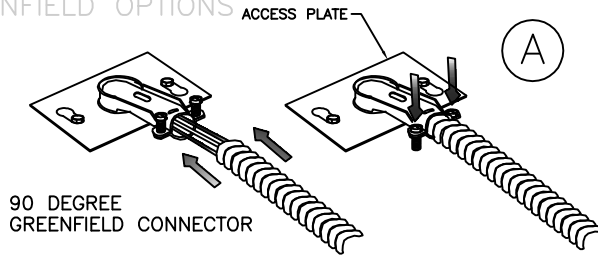


REMOVE SHEET METAL SCREWS FROM THE LED PLATE. DO NOT REMOVE LED STICKS IT SELF.

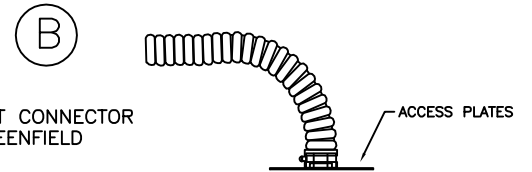
NOTE: ALL FIXTURES ARE PRE-WIRED.



GREENFIELD OPTIONS



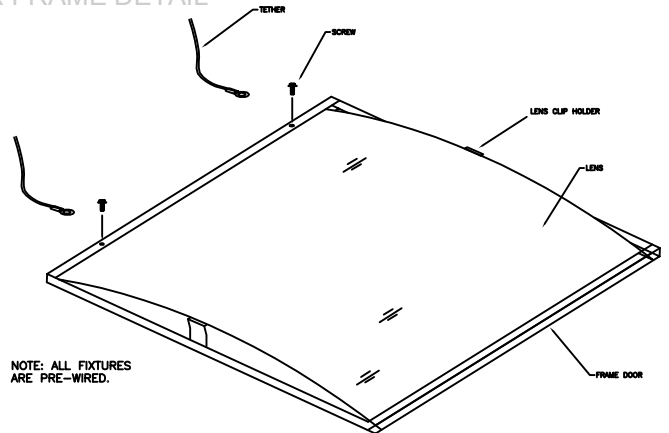
STRAIGHT CONNECTOR FOR GREENFIELD



LIGHTING CONTROL SOLUTIONS

1. DIMMING ( 0-10V, DALI Or Lutron )
  - 0-10V Dimming Driver used as standard.
  - Continuous Dimming up to 10%.
  - Dimming wires not provided unless specified
  - Contact National for Dali or Lutron Control system
2. Occ/DAYLIGHT/Vacancy/Bi-Level
  - Sensor-ready and compatible drivers provided.
  - Sensors can be field installed or could be installed in the fixtures
  - Bi-level dimming and Motion sensors also available
3. Compatibility:
  - National fixtures are compatible with Lutron, Philips Actilume, Magnum, Wattstopper, Hubbell , Leviton , Hytronik , Daintree & Enlighted Control System

DOOR FRAME DETAIL



NATIONAL LIGHTING COMPANY, INC.  
522 CORTLANDT ST.  
BELLEVILLE, NJ 07109

NJ 973-751-1600  
NY 212-751-1600  
FAX 973-751-4931  
WWW.NATLTG.COM

JOB NAME:
CATALOG:
TYPE: