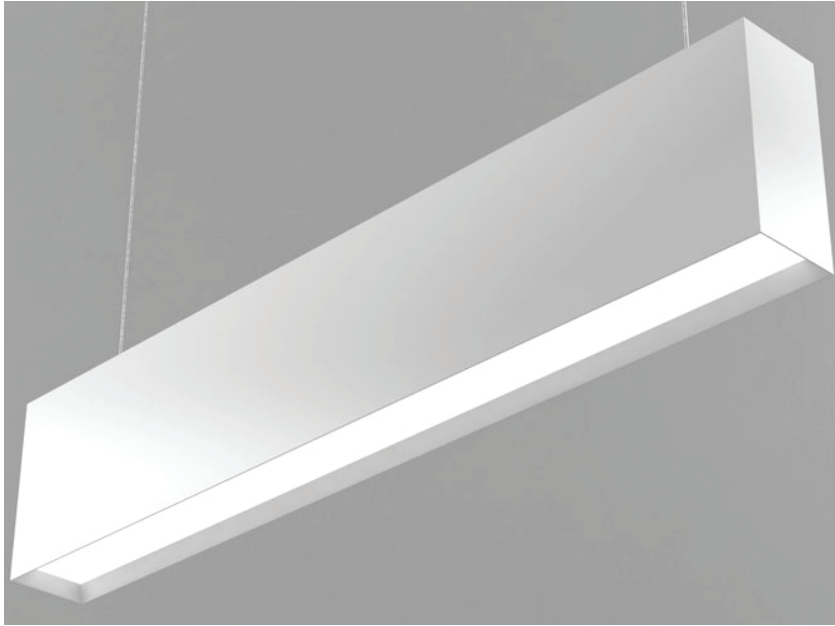


DATE

TYPE

PROJECT

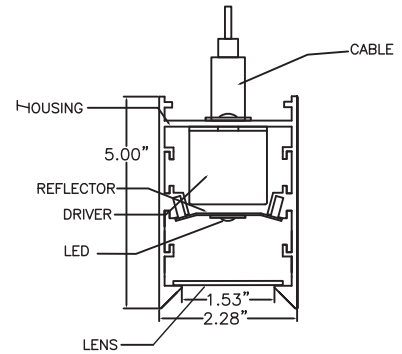


COMMENTS

DESCRIPTION

Companies, in all sectors, are demanding design elements that compliment open floor plans and open ceilings. The 2NS Regressed series is ideal for indirect applications such as open offices and communal areas. The 2NS Regressed, with its slick design, is the perfect architectural and mechanical complement to these spaces. The 2NS Regressed can be run in straight lines, right angles, rectangles and a myriad of other shapes. The LED light source works seamlessly with the natural, uncluttered work environments of today.

CROSS SECTION



1. HOUSING

To be formed from 20GA Aluminum
 Finish: Baked white enamel (standard)
 Direct / Indirect Lighting (standard)
 All fixtures pre-wired
 All steel parts are phosphate treated for corrosion resistance before painting procedure and then baked with superior adhesion for durability

2. DRIVER

0-10V Dimming with a range of 10% - 100% (integral)
 Voltage: 120/277 VOLTS (universal) 50/60HZ
 CBM / ETL Certified CLASS 2 - Dual circuited
 UL/ETL Recognized components, ROHS Compliant with integral occ sensor

3. LED ARRAY

Mid power FR4 LED LM80 Tested
 (Factory installed) LED imaging not visible
 Flicker free (standard)

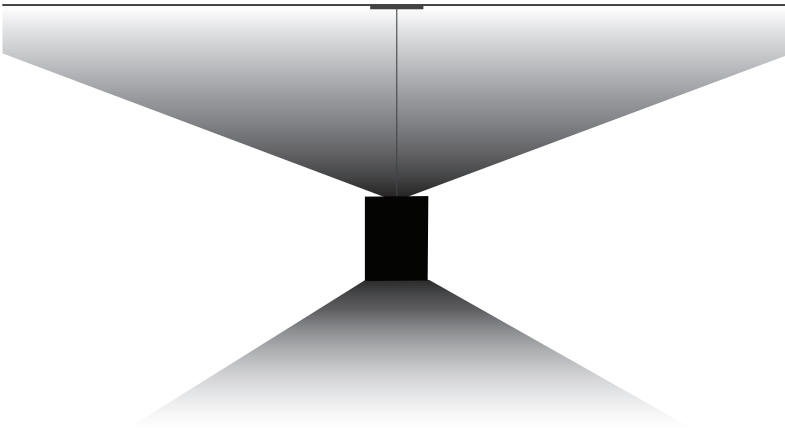
4. REFLECTOR

To be formed from 20GA Aluminum
 Finish: White (standard)

5. DIFFUSER

.125" frosted acylic dropped lens

LIGHT DISTRIBUTION



CERTIFICATIONS / TERMS



ETL LISTED

5 YEAR WARRANTY *

BUY AMERICAN ACT *

ALL COMPONENTS SERVICEABLE *

ORDERING

SERIES	LENGTH*	OUTPUT*	RATIO D/D	VOLTAGE	CCT	CRI - R9	COLOR*	MOUNTING	OPTIONS	
NICHE 2NS REG				UNV						
	XXX FT 1" INCREMENTS STARTING AT 2' EX: 2' = 002	14W 1320 LM/FT	10 100/00	UNV 120-277 Volt	27 2700K	80+ 80 CRI R9 40	W WHITE	AC AIRCRAFT CABLE	SD DIM 0-10V	SC SINGLE CIRCUIT
		12W 1135 LM/FT	75 75/25		30 3000K	90+ 90 CRI R9 50	B BLACK	P STEM MOUNT	S1 DIM TO 1% 0-10V	DC DUAL CIRCUIT
		10W 945 LM/FT	64 60/40		35 3500K		S SILVER	WM WALL MOUNT	L2 LUTRON 2-WIRE 1% DIM	
		9W 850 LM/FT	55 50/50		40 4000K			SM SURFACE MOUNT	L3 LUTRON 3-WIRE 1% DIM	
		7W 660 LM/FT	46 40/60		50 5000K				DA DALI	
			27 25/75		TW TUNABLE WHITE				OC OCCUPANCY SENSOR	
			01 00/100		RGB COLOR TUNING				EN ENLIGHTED (INTEGRAL OR REMOTE)	
									EM EMERGENCY PACK	

* 5 YEAR PERFORMANCE BASED WARRANTY CONSULT FACTORY FOR DETAILS

* BUY AMERICA ACT COMPLIANT (2009 STANDARDS)

* ALL INTERNAL PARTS ARE ACCESSIBLE / SERVICEABLE (DRIVERS / LED BOARDS / QUICK CONNECTS)

* ALL LENGTHS ARE NOMINAL

* ALL LUMEN OUTPUT / WATTAGES ARE NOMINAL

* OTHER FINISHES AVAILABLE - CONTACT FACTORY