

DATE

TYPE

PROJECT

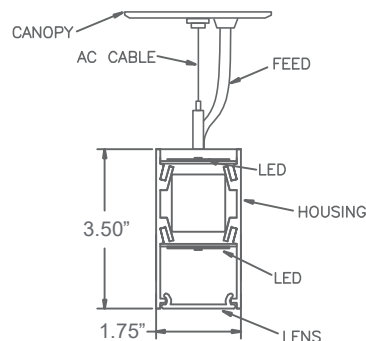
COMMENTS



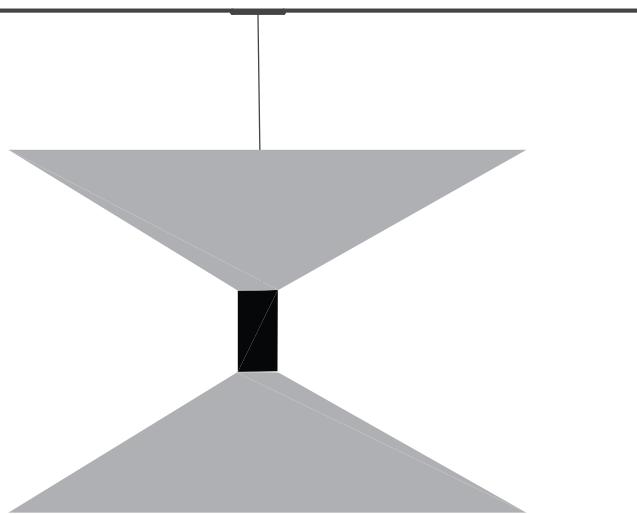
DESCRIPTION

Companies, in all sectors, are demanding design elements that complement open floor plans and open ceilings. The NICHE 1NS D/ID Series, is ideal for direct indirect applications such as open offices and communal areas. The NICHE 1NS D/ID, with it's compact design, is the perfect architectural and mechanical complement to these spaces. The NICHE 1NS D/ID can be run in straight lines, right angles, rectangles and a myriad of other shapes. The LED light source works seamlessly in natural, uncluttered work environments of today.

CROSS SECTION



LIGHT DISTRIBUTION



1. HOUSING

To be formed from 20GA Aluminum
 Finish: Baked white enamel (standard)
 Direct/Indirect Lighting (standard)
 All fixtures pre-wired
 All steel parts are phosphate treated for corrosion resistance before painting procedure and then baked with superior adhesion for durability

2. DRIVER

0-10V Dimming with a range of 10% - 100% (integral)
 Voltage: 120/277 VOLTS (universal) 50/60HZ
 CBM / ETL Certified CLASS 2 - single circuited
 UL/ETL Recognized components, ROHS Compliant with integral occ sensor

3. LED ARRAY

Mid power FR4 LED LM80 Tested
 (Factory installed) LED imaging not visible
 Flicker free (standard)

4. REFLECTOR

To be formed from 20GA Aluminum
 Finish: White (standard)

5. DIFFUSER

.125" frosted acrylic lens

CERTIFICATIONS / TERMS



ETL LISTED



5 YEAR WARRANTY *



BAY AMERICAN ACT *



ALL COMPONENTS SERVICEABLE *

ORDERING

SERIES	LENGTH*	OUTPUT*	VOLTAGE	CCT	CRI - R9	COLOR*	MOUNTING	OPTIONS
1NS -D/ID	1XXX FT * INCREMENTS STARTING AT 2' EX: 2' = 002	(LO) 812.5LM/FT (9.1 W/F)	UNV ¹²⁰⁻²⁷⁷ _{120V}	27 2700K	80+ ^{80 CRI} _{R9-40}	W WHITE	AC AIRCRAFT CABLE	SD DIM 0-10V
		(MO) 1028.5 LM/FT (12 W/F)		30 3000K		90+ ^{90 CRI} _{R9-40}	B BLACK	P STEM MOUNT
		(HO) 1316 LM/FT (14.5 W/F)		35 3500K	S SILVER			L3 LUTRON 3-WIRE 1% DIM
				40 4000K	*C CUSTOM PROVIDE RAL		L7EA - Lutron 2-wire 1% Dimming (120V only)	
				50 5000K			LDE1 - Lutron Digital EcoSystem	
		* ALL LENGTHS ARE NOMINAL		TW TUNABLE WHITE		* OTHER FINISHES AVAILABLE - CONTACT FACTORY		LDE5 - 5 Series EcoSystem; 5% Dimming
		* ALL LUMEN OUTPUT / WATTAGES ARE NOMINAL		RGB COLOR TUNING				DA DALI
								OC OCCUPANCY SENSOR
								EN ENLIGHTED (INTEGRAL OR REMOTE)
								EM EMERGENCY PACK
								SC SINGLE CIRCUIT
								DC DUAL CIRCUIT

* 5 YEAR PERFORMANCE BASED WARRANTY CONSULT FACTORY FOR DETAILS

* BUY AMERICA ACT COMPLIANT (2009 STANDARDS)

* ALL INTERNAL PARTS ARE ACCESSABLE / SERVICEABLE (DRIVERS / LED BOARDS / QUICK CONNECTS)

DATE

TYPE

PROJECT

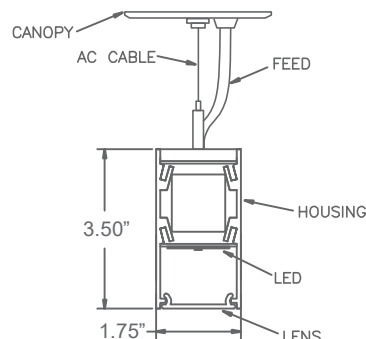
COMMENTS



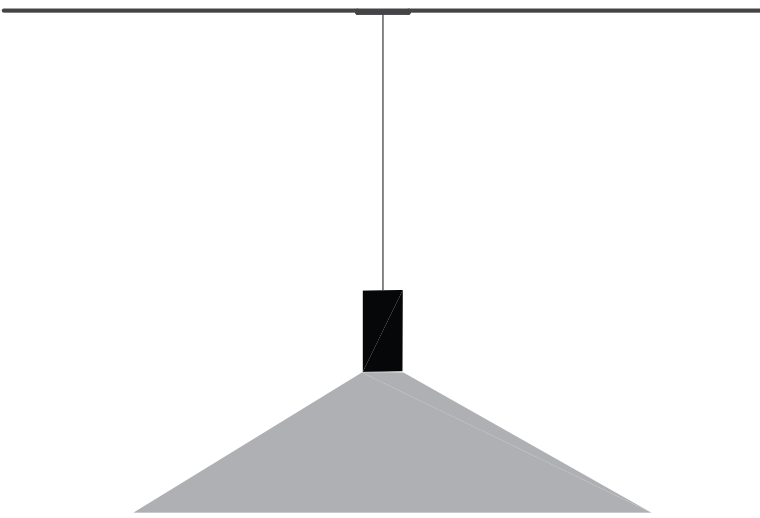
DESCRIPTION

Companies, in all sectors, are demanding design elements that complement open floor plans and open ceilings. The NICHE 1NS D Series, is ideal for direct applications such as open offices and communal areas. The NICHE 1NS D, with its compact design, is the perfect architectural and mechanical complement to these spaces. The NICHE 1NS D can be run in straight lines, right angles, rectangles and a myriad of other shapes. The LED light source works seamlessly in natural, uncluttered work environments of today.

CROSS SECTION



LIGHT DISTRIBUTION



1. HOUSING

To be formed from 20GA Aluminum
Finish: Baked white enamel (standard)
Direct Lighting (standard)
All fixtures pre-wired
All steel parts are phosphate treated for corrosion resistance before painting procedure and then baked with superior adhesion for durability

2. DRIVER

0-10V Dimming with a range of 10% - 100% (integral)
Voltage: 120/277 VOLTS (universal) 50/60HZ
CBM / ETL Certified CLASS 2 - single circuited
UL/ETL Recognized components, ROHS Compliant with integral occ sensor

3. LED ARRAY

Mid power FR4 LED LM80 Tested
(Factory installed) LED imaging not visible
Flicker free (standard)

4. REFLECTOR

To be formed from 20GA Aluminum
Finish: White (standard)

5. DIFFUSER

.125" frosted acrylic lens

CERTIFICATIONS / TERMS



ETL LISTED



5 YEAR WARRANTY*



BAY AMERICAN ACT*



ALL COMPONENTS SERVICEABLE*

ORDERING

SERIES	LENGTH*	OUTPUT*	VOLTAGE	CCT	CRI - R9	COLOR*	MOUNTING	OPTIONS
1NS-D	1XXX FT * INCREMENTS STARTING AT 2' EX: 2' = 002	(LO) 277LM/FT (5.1 W/F)	UNV ¹²⁰⁻²⁷⁷ ₁₀₀	27 2700K	80+ ^{90 CRI} _{R9 40}	W WHITE	AC AIRCRAFT CABLE	SD DIM 0-10V
		(MO) 412 LM/FT (7.4 W/F)		30 3000K	90+ ^{90 CRI} _{R9 40}	B BLACK	P STEM MOUNT	S1 DIM TO 1% 0-10V
		(HO) 517 LM/FT (9.12 W/F)		35 3500K		S SILVER		L3 LUTRON 3-WIRE 1% DIM
				40 4000K		*C CUSTOM PROVIDE RAL		LTEA - Lutron 2-wire 1% Dimming (120V only)
				50 5000K		*OTHER FINISHES AVAILABLE - CONTACT FACTORY		LDE1 - Lutron Digital EcoSystem
		TW TUNABLE WHITE RGB COLOR TUNING					LDE5 - 5 Series EcoSystem; 5% Dimming	
							DA DALI	
							OC OCCUPANCY SENSOR	
							EN ENLIGHTED (INTEGRAL OR REMOTE)	
							EM EMERGENCY PACK	
							SC SINGLE CIRCUIT	

* 5 YEAR PERFORMANCE BASED WARRANTY CONSULT FACTORY FOR DETAILS

* BUY AMERICA ACT COMPLIANT (2009 STANDARDS)

* ALL INTERNAL PARTS ARE ACCESSABLE / SERVICEABLE (DRIVERS / LED BOARDS / QUICK CONNECTS)