

DATE

TYPE

PROJECT

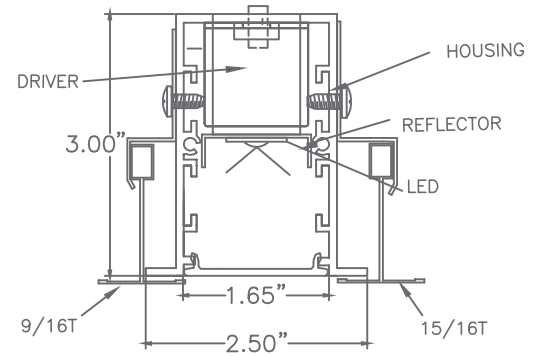


COMMENTS

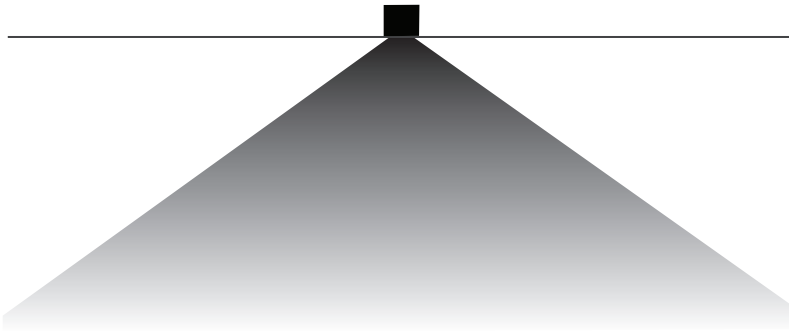
DESCRIPTION

The 1NR series combines digital lighting in an architectural, streamlined housing. This fixture delivers seamless, brilliant light in any space. The nominal 1.65" wide housing, with white shadowless satine lens, can be used in almost any ceiling application.

CROSS SECTION



LIGHT DISTRIBUTION



1. HOUSING

To be formed from 20GA Aluminum
 Finish: Baked white enamel (standard)
 Direct / Indirect Lighting (standard)
 All fixtures pre-wired
 All steel parts are phosphate treated for corrosion resistance before painting procedure and then baked with superior adhesion for durability

2. DRIVER

0-10V Dimming with a range of 10% - 100% (integral)
 Voltage: 120/277 VOLTS (universal) 50/60HZ
 CBM / ETL Certified CLASS 2 - Dual circuited
 UL/ETL Recognized components, ROHS Compliant with integral occ sensor

3. LED ARRAY

Mid power FR4 LED LM80 Tested
 (Factory installed) LED imaging not visible
 Flicker free (standard)

4. REFLECTOR

To be formed from 20GA Aluminum
 Finish: White (standard)

5. DIFFUSER

.125" frosted acylic satine lens

CERTIFICATIONS / TERMS



ORDERING

SERIES	LENGTH*	OUTPUT*	DIRECT	VOLTAGE	CCT	CRI - R9	COLOR*	MOUNTING	OPTIONS
1NR FL			D	UNV					
	XXX FT 1" INCREMENTS STARTING AT 2' EX: 2' = 002	14W 1400 LM/FT 12W 1200 LM/FT 10W 1000 LM/FT 9W 900 LM/FT 7W 700 LM/FT		UNV 120-277 Volt	27 2700K 30 3000K 35 3500K 40 4000K 50 5000K TW TUNABLE WHITE RGB COLOR TUNING	80+ 80 CRI R9 40 90+ 90 CRI R9 50	W WHITE B BLACK S SILVER *C CUSTOM PROVIDE RAL	F FLANGE SG SLOT GRID FO FLANGELESS T GRID 5/16TH T1 GRID 9/16TH T2 TEGULAR 5/16TH T3 TEGULAR 9/16TH	SD DIM 0-10V SC SINGLE CIRCUIT S1 DIM TO 1% 0-10V DC DUAL CIRCUIT L2 LUTRON 2-WIRE 1% DIM L3 LUTRON 3-WIRE 1% DIM DA DALI OC OCCUPANCY SENSOR EN ENLIGHTED (INTEGRAL OR REMOTE) EM EMERGENCY PACK

* 5 YEAR PERFORMANCE BASED WARRANTY CONSULT FACTORY FOR DETAILS

* ALL LENGTHS ARE NOMINAL

* BUY AMERICA ACT COMPLIANT (2009 STANDARDS)

* ALL LUMEN OUTPUT / WATTAGES ARE NOMINAL * OTHER FINISHES AVAILABLE - CONTACT FACTORY

* ALL INTERNAL PARTS ARE ACCESSABLE / SERVICEABLE (DRIVERS / LED BOARDS / QUICK CONNECTS)