

GLOW LED

HOUSING

THE 4 INCH DEEP HSG TO BE FORMED FROM 20GA CRS FORMED FROM 20GA CRS. FINISH BAKED WHITE ENAMEL (STANDARD). ALL FIXTURES ARE PRE-WIRED. ALL STEEL PARTS ARE PHOSPHATE TREATED FOR CORROSION RESISTANCE BEFORE PAINT PROCEDURE, THEN BAKED WITH SUPERIOR ADHESION FOR DURABILITY.

LED MODULES

HIGHER EFFICACY UP TO 170 LPW WITH SERVICE LIFE GREATER THAN 60000(L70) HIGH COLOR RENDER AND EXCELLENT COLOR CONSISTENCY COLOR OPTIONS AVAILABLE FROM 27K TO 40K . 90 CRI LEDS AVAILABLE AS OPTIONAL

DRIVERS

CONSTANT CURRENT, CLASS 2 UNIVERSAL INPUT : 120-277VAC SOUND RATED A, 54V OUTPUT 0-10V DIMMING STANDARD . DALI, ECOSYSTEM AND DMX DRIVERS ALSO AVAILABLE

MOUNTING

SURFACE MOUNT

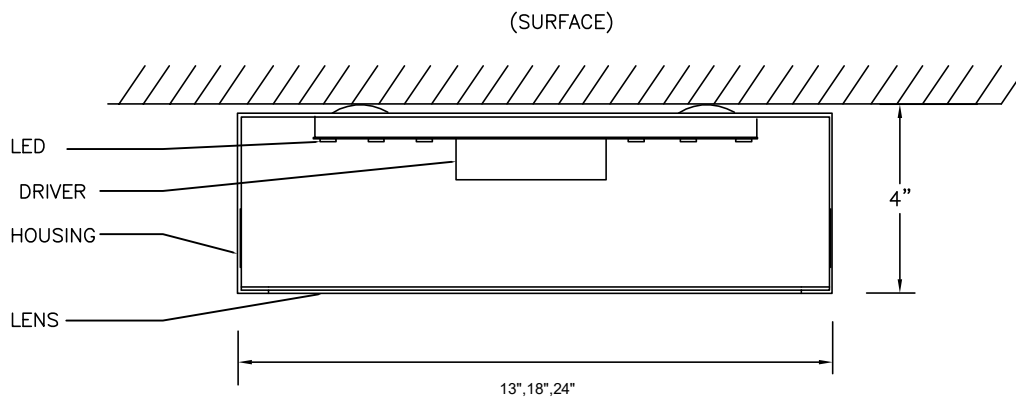
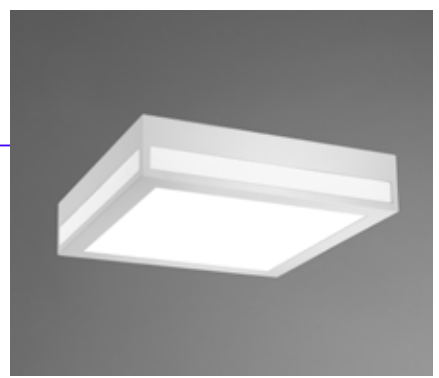
LENS

HIGH-EFFICIENCY MICROLENSES IN OPTICALLY CLEAR MATERIALS, PROVIDING SUPERB PERFORMANCE IN ANGLE CONTROL, EFFICIENCY , SOURCE HIDING AND AESTHETICS

PRODUCT DESCRIPTION

THE COMPACT FORM OF THE GLOW LED FIXTURE SERIES MAKE IT IDEAL FOR NUMEROUS APPLICATIONS. THE LED SOURCE GENERATES A BROAD EVEN DIRECT LIGHTING DISTRIBUTION WITH A HINT OF INDIRECT LIGHT. PERIMETER OFFICES, CORRIDORS, AND DORMITORY SPACES ARE AREAS OF USAGE FOR THE LED GLOW. 60000 HOURS OF LAMP LIFE AND EXCELLENT COLOR ARE THE PRODUCTS OF THE LED SYSTEM

LARGER TEMPLATES ARE AVAILABLE WITH FULLY ILLUMINATED SURFACES. AN INDIRECT COMPONENT IS AVAILABLE AS WELL WITH A PENDANT OR AIRCRAFT CABLE MOUNTED VERSION.



TYPE:

PROJECT:

EVEN AND VISUALLY COMFORTABLE LED LIGHT DISTRIBUTION ACROSS PROFILE OF THE PRODUCT

50% ENERGY SAVINGS COMPARED TO LINEAR FLUORESCENT

SUSTAINABLE MATERIALS

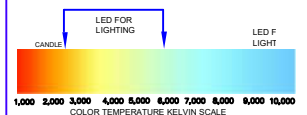
ARRAY OF LUMEN OPTIONS ALL LM79/LM80 UL APPROVED

5 YEAR WARRANTY LED AND DRIVER

SERIES	LUMENS / (W)	COLOR TEMP	MTG	VOLTAGE	OPTIONS
GLOW LED	<input type="checkbox"/> LC 2505(24.5)	<input type="checkbox"/> 2700K <input type="checkbox"/> 3000K <input type="checkbox"/> 3500K <input type="checkbox"/> 4000K <input type="checkbox"/> 5000K	SURFACE MOUNT	<input type="checkbox"/> 120 V <input type="checkbox"/> 277 V <input type="checkbox"/> UNIVERSAL	<input type="checkbox"/> EM <input type="checkbox"/> DIM 0-10 <input type="checkbox"/> DALI <input type="checkbox"/> .3DA-3Wire or Eco1% <input type="checkbox"/> LDE1 - Eco1% <input type="checkbox"/> SENSOR(OCC/VAC)
	<input type="checkbox"/> MO 2830 (35W) 18X18				
	<input type="checkbox"/> HO 3341 (39W) 24X24				

LUMENS WILL VARY DEPENDING ON DIFFUSER AND LED COLOR TEMP.

NATIONAL 3E/LED SERIES USES ENGINE/STICK ORIGINAL EQUIPMENT (BY OSRAM, PHILIPS, SAMSUNG, ET AL) WHICH ARE RATED FOR APPROXIMATELY 100 LM/W. ARCHITECTURAL LENSES PROVIDED WITH THE LUMINAIRES BY DESIGN EVEN THE BRIGHTNESS AND VISUAL COMFORT AND MIGHT FRACTIONALLY LOWER LM/W.

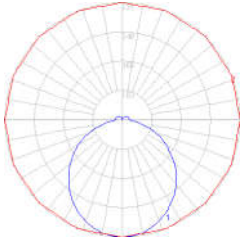


522 CORTLANDT ST.
BELLEVILLE, NJ 07109

NJ 973-751-1600
NY 212-751-1600
FAX 973-751-4931
WWW.NATLTG.COM

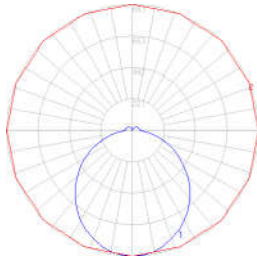


GLOW LED-LO



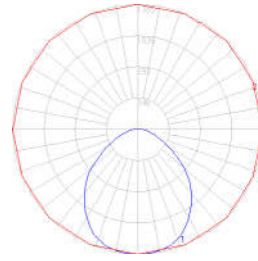
LIFE: 60,000 HRS
WATTS: 25
LUMENS: 2215
EFFICACY: 102
CRI: 80+

GLOW LED-MO



LIFE: 60,000 HRS
WATTS: 32.5
LUMENS: 3341
EFFICACY: 103
CRI: 80+

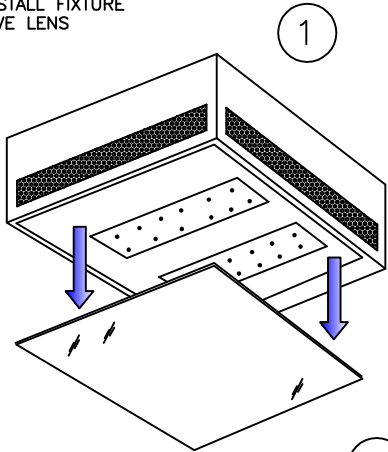
GLOW LED-HO



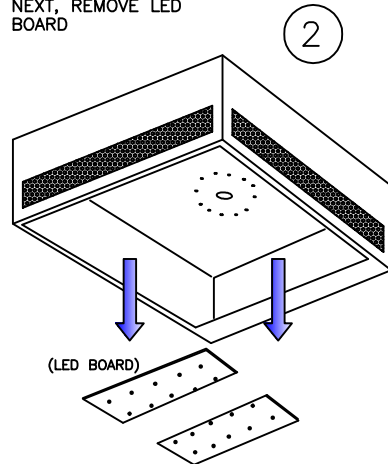
LIFE: 60,000 HRS
WATTS: 44.2
LUMENS: 4677
EFFICACY: 106
CRI: 80+

INSTALLATION INSTRUCTIONS

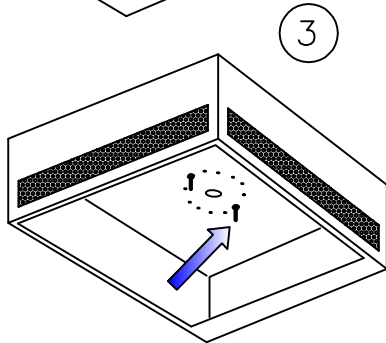
TO INSTALL FIXTURE
REMOVE LENS



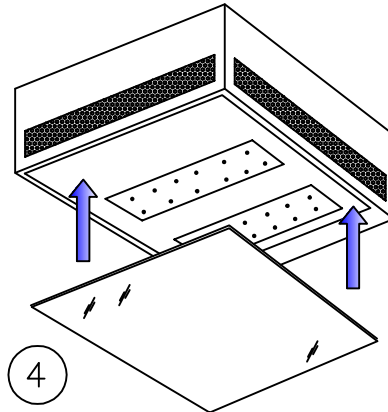
NEXT, REMOVE LED
BOARD



AFTER INSTALLING THE NUT,
MOUNT LED BOARD AND LENS
BACK INTO THE HOUSING



INSTALL ONE OF THE NUT MISSING
FROM THIS SCREW.



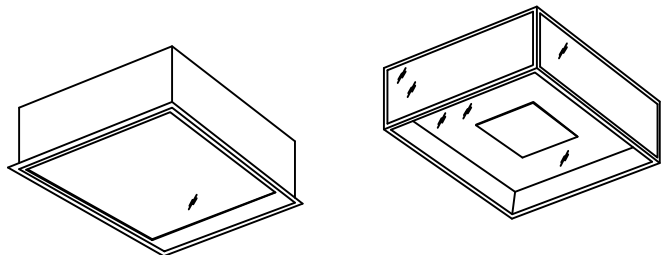
LIGHTING CONTROL SOLUTIONS

1. DIMMING (0-10V, DALI Or Lutron)
 - 0-10V Dimming Driver used as standard.
 - Continuous Dimming up to 10%.
 - Dimming wires not provided unless specified
 - Contact National for Dali or Lutron Control system

2. Occ/DAYLIGHT/Vacancy/Bi-Level
 - Sensor-ready and compatible drivers provided.
 - Sensors can be field installed or could be installed in the fixtures
 - Bi-level dimming and Motion sensors also available

3. Compatibility:
 - National fixtures are compatible with Lutron, Philips Actilume, Magnum, Wattstopper, Hubbell , Leviton , Hytronik , Daintree & Enlighted Control System

OTHER OPTIONS



NATIONAL LIGHTING
COMPANY, INC.
522 CORTLANDT ST.
BELLEVILLE, NJ 07109

NJ 973-751-1600
NY 212-751-1600
FAX 973-751-4931
WWW.NATLTG.COM

JOB NAME:
CATALOG:
TYPE: