

NICHE 6NR LED

HOUSING

TO BE FORMED FROM 20GA CRS OR EXTRUDED ALUMINUM 6063T5
FINISH: BAKED WHITE ENAMEL (STANDARD) ALL STEEL PARTS ARE PHOSPHATE TREATED FOR CORROSION RESISTANCE BEFORE PAINT PROCEDURE, THEN BAKED WITH SUPERIOR ADHESION FOR DURABILITY

LENS

THE LENS COMPONENT IS EXTRUDED OUT OF WHITE SATINE MATERIAL. STRAIGHT AND HOMOGENEOUS DIRECT DOWNLIGHTING IS A RESULT OF THE HIGHLY ENGINEERED AND TESTED PIGMENTED DIFFUSER.



MOUNTING

RECESSED GRID, TECH-ZONE
FLANGED OR FLANGELESS CEILING

PRODUCT DESCRIPTION

THE LED 6NR SERIES PROVIDES HIGHER LUMEN PACKAGES WHERE NECESSARY IN A BROADER-WIDER ESTHETICALLY PLEASING FIXTURE APERTURE. THE LED BOARDS ARE SPACED AND MOUNTED IN A PHOTOMETRICALLY EFFICIENT AND VISUALLY COMFORTABLE MANNER TO SPREAD THE LIGHT EVENLY ACROSS THE RECESSED PLAIN. SEAMLESS AND CONTINUOUS LEDS ILLUMINATE THE LENS COMPLETELY FREE OF ANY DARK SPOTS. **THE 6NR RECESSED NICHE SERIES IS IDEAL FOR LARGER SPACES WITH HIGH CEILINGS LIKE SCHOOLS, AIRPORTS, AUDITORIUMS, LECTURE HALLS, BIG BOX STORES, AND TODAY'S OPEN OFFICE COMMUNAL SPACES. THE ADVANCED DESIGN OFFERS 60000 HRS OF LED LIFE WITH EXCELLENT COLOR RENDITION.** THE EXTRAORDINARY PERFORMANCE OF THE 6NR CAN BE MANUFACTURED FOR GRID, FLANGED, BEADED FLANGED OR TECH-ZONE CEILINGS. AVAILABLE WITH FACTORY MANUFACTURED FULLY ILLUMINATED CORNERS. SENSORS AND DIMMERS CAN BE INCORPORATED INTO THIS HIGH TECH LED SOLUTION AS WELL. GEOMETRIC PATTERNS OF ANY DESIGN CAN BE BUILT. INSPIRATIONAL LINES OF LIGHT ARE THE HALLMARK OF THE NICHE 6NR SERIES.

LED MODULES

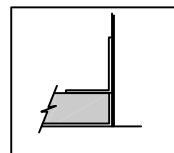
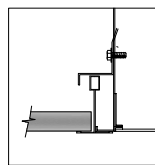
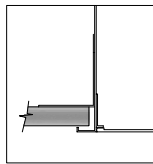
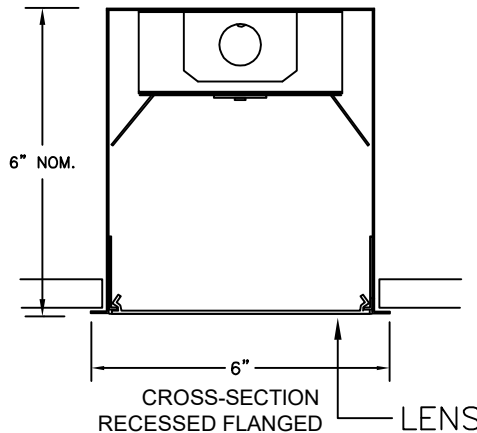
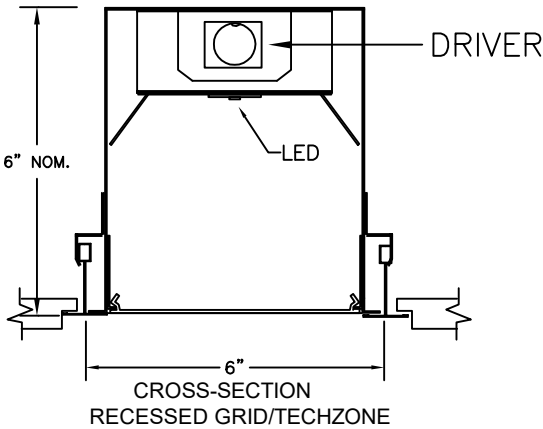
HIGHER EFFICACY UP TO 170 LPW WITH SERVICE LIFE GREATER THAN 60000(L70) HIGH COLOR RENDITION AND EXCELLENT COLOR CONSISTENCY COLOR OPTIONS AVAILABLE FROM 27K TO 40K .90 CRI LEDS AVAILABLE AS OPTIONAL

DRIVERS

CONSTANT CURRENT, CLASS 2 UNIVERSAL INPUT : 120-277VAC SOUND RATED A, 54V OUTPUT 0-10V DIMMING STANDARD . DALI, ECOSYSTEM AND DMX DRIVERS ALSO AVAILABLE

REFLECTOR

TO BE FORMED FROM 20GA POST PAINTED ALUMINUM SHEET WITH INTEGRAL THERMAL PROPERTIES REQUIRED FOR LED/DIGITAL LIGHTING WITH 90% PLUS REFLECTIVITY



ORDERING KEY

SERIES	LUMENS/FT (W/FT)	LENGTH	COLOR TEMP	MOUNTING	VOLTAGE	OPTIONS
<input type="checkbox"/> 6NR	<input type="checkbox"/> LO 762.7(7.75) <input type="checkbox"/> MO 1075.5(10.67) <input type="checkbox"/> HO 1441(13.83)	<input type="checkbox"/> 4' <input type="checkbox"/> 8' <input type="checkbox"/> ROWS	<input type="checkbox"/> 2700K <input type="checkbox"/> 3000K <input type="checkbox"/> 3500K <input type="checkbox"/> 4000K <input type="checkbox"/> 5000K	<input type="checkbox"/> T <input type="checkbox"/> TZ <input type="checkbox"/> F	<input type="checkbox"/> 120 V <input type="checkbox"/> 277 V <input type="checkbox"/> UNIVERSAL	<input type="checkbox"/> EM (BATTERY) <input type="checkbox"/> DIM 0-10 <input type="checkbox"/> DALI <input type="checkbox"/> LUTRON, 1% 2W <input type="checkbox"/> LUTRON, ECO

LUMENS WILL VARY DEPENDING ON DIFFUSER AND LED COLOR TEMP.

NATIONAL 3E/LED SERIES USES ENGINE/STICK ORIGINAL EQUIPMENT (BY OSRAM, PHILIPS, SAMSUNG, ET AL) WHICH ARE RATED FOR APPROXIMATELY 100 LM/W. ARCHITECTURAL LENSES PROVIDED WITH THE LUMINAIRES BY DESIGN EVEN THE BRIGHTNESS AND VISUAL COMFORT AND MIGHT FRACTIONALLY LOWER LM/W.

TYPE: _____

PROJECT: _____

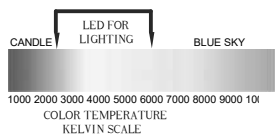
EVEN AND VISUALLY COMFORTABLE LED LIGHT DISTRIBUTION ACROSS PROFILE OF THE PRODUCT

50% ENERGY SAVINGS COMPARED TO LINEAR FLUORESCENT

SUSTAINABLE MATERIALS

ARRAY OF LUMEN OPTIONS ALL LM80 TESTED U.L./ETL APPROVED

5 YEAR WARRANTY LED AND DRIVER



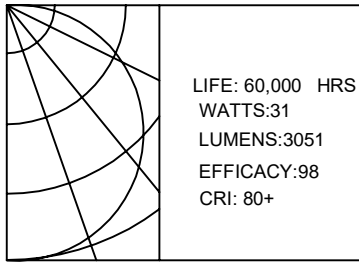
NATIONAL LIGHTING COMPANY, INC.
522 CORTLANDT ST.
BELLEVILLE, NJ 07109

NJ 973-751-1600
NY 212-751-1600
FAX 973-751-4931
WWW.NATLTG.COM

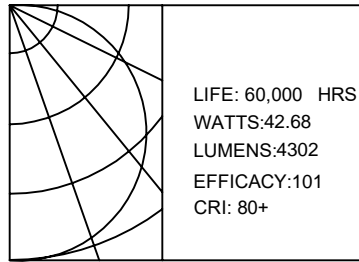


PHOTOMETRICS

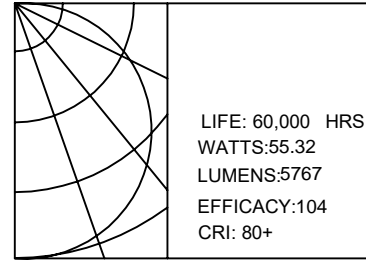
6NR-LED-LO



6NR-LED-MO

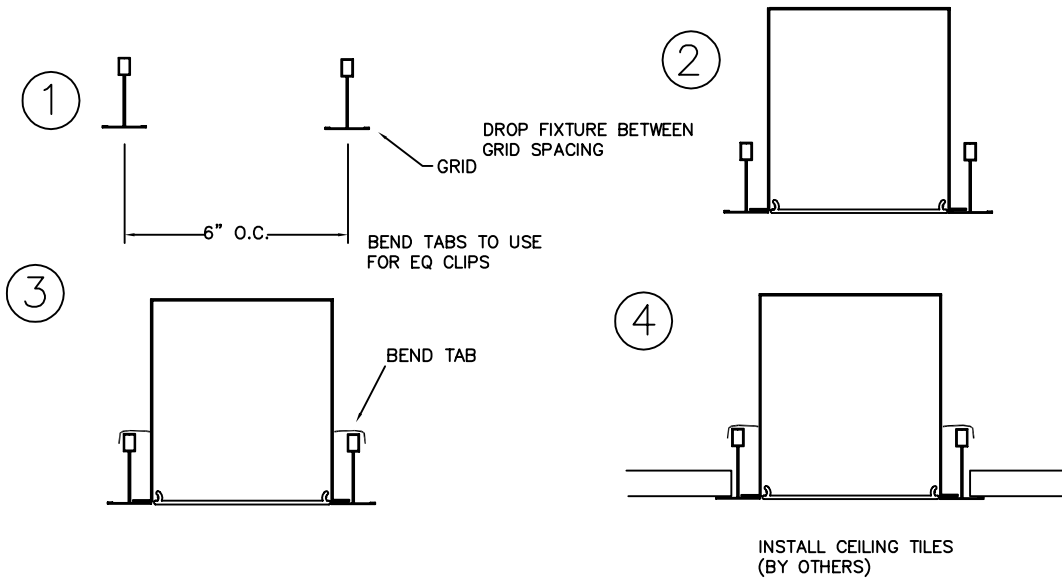


6NR-LED-HO



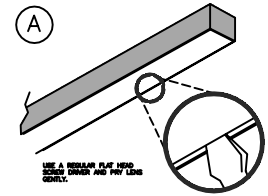
!!PHOTOMETRIC REPORTS BASED ON 4' SECTION

MOUNTING INSTRUCTIONS

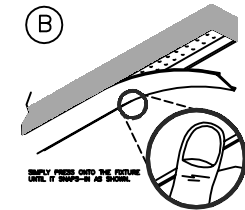


LENS DETAIL

HOW TO REMOVE LENS



HOW TO INSTALL LENS

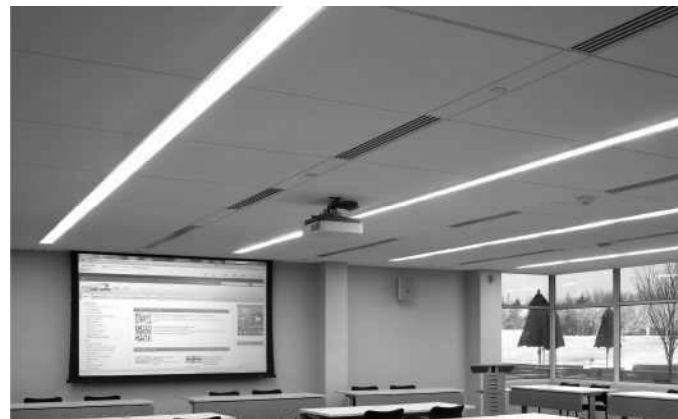


LIGHTING CONTROL SOLUTIONS

- DIMMING (0-10V, DALI Or Lutron)**
 - 0-10V Dimming Driver used as standard.
 - Continuous Dimming up to 10%.
 - Dimming wires not provided unless specified
 - Contact National for Dali or Lutron Control system
- Occ/DAYLIGHT/Vacancy/Bi-Level**
 - Sensor-ready and compatible drivers provided.
 - Sensors can be field installed or could be installed in the fixtures
 - Bi-level dimming and Motion sensors also available
- Compatibility:**

National fixtures are compatible with Lutron, Philips Easysense, Magnum, Wattstopper, Hubbell , Leviton , Hytronik , Daintree & Enlighted Control System

APPLICATION PIC



NATIONAL LIGHTING
COMPANY, INC.
522 CORTLANDT ST.
BELLEVILLE, NJ 07109

NJ 973-751-1600
NY 212-751-1600
FAX 973-751-4931
WWW.NATLTG.COM

JOB NAME:	
CATALOG:	
TYPE:	